

# NDP-5 Specifications

## Port Dimensions (3.4 GPM Max.)

Intake & discharge connection:	1/4" Female NPT
Air inlet (incl. ball valve):	1/4" Female NPT
Air exhaust (internal silencer):	3/8" Female NPT

## Maximum Liquid Temperature

Fitted with PTFE diaphragm

Pump Material	Temperature
Groundable Acetal	180°F (82°C)
Polypropylene	180°F (82°C)
Aluminum	212°F (100°C)
Kynar® (PVDF)	212°F (100°C)
Stainless Steel (316)	212°F (100°C)

## Air Supply Pressure (All Models)

20–100 PSI (1.4–7 kgf/cm<sup>2</sup>)

## Discharge Volume Per Cycle

0.0078 gallons (29 cc)

## Maximum Cycles Per Minute 400

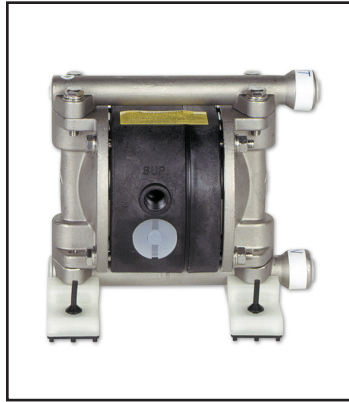
## Maximum Dry Suction Lift 5-ft

## Air Motor

Ryton® air motor standard

## Valve Type

Flat



### Aluminum

**Dimensions:** 6.1"W x 5.87"H

**Net Wt.:** 3.3 lbs. (1.5 kg)

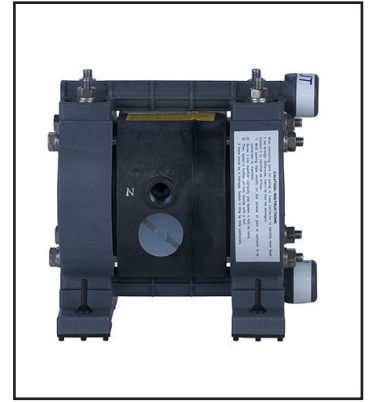
**Shipping Wt.:** 4.3 lbs.

### Stainless Steel

**Dimensions:** 6.14"W x 5.79"H

**Net Wt.:** 3.7 lbs. (1.67 kg)

**Shipping Wt.:** 4.7 lbs.

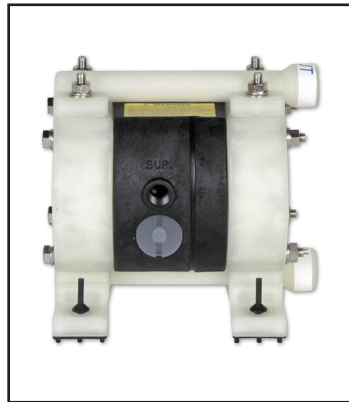


### Groundable Acetal

**Dimensions:** 6.14"W x 5.79"H

**Net Wt.:** 3.7 lbs. (1.67 kg)

**Shipping Wt.:** 4.7 lbs.

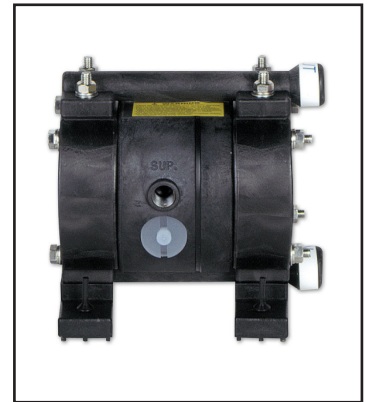


### Polypropylene

**Dimensions:** 6.14"W x 5.79"H

**Net Wt.:** 3.0 lbs. (1.36 kg)

**Shipping Wt.:** 4 lbs.



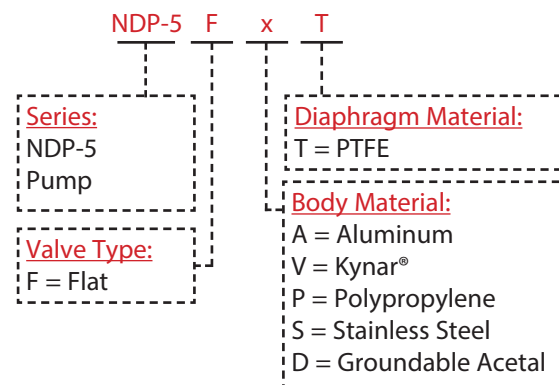
### Kynar®

**Dimensions:** 6.14"W x 5.79"H

**Net Wt.:** 3.7 lbs. (1.67 kg)

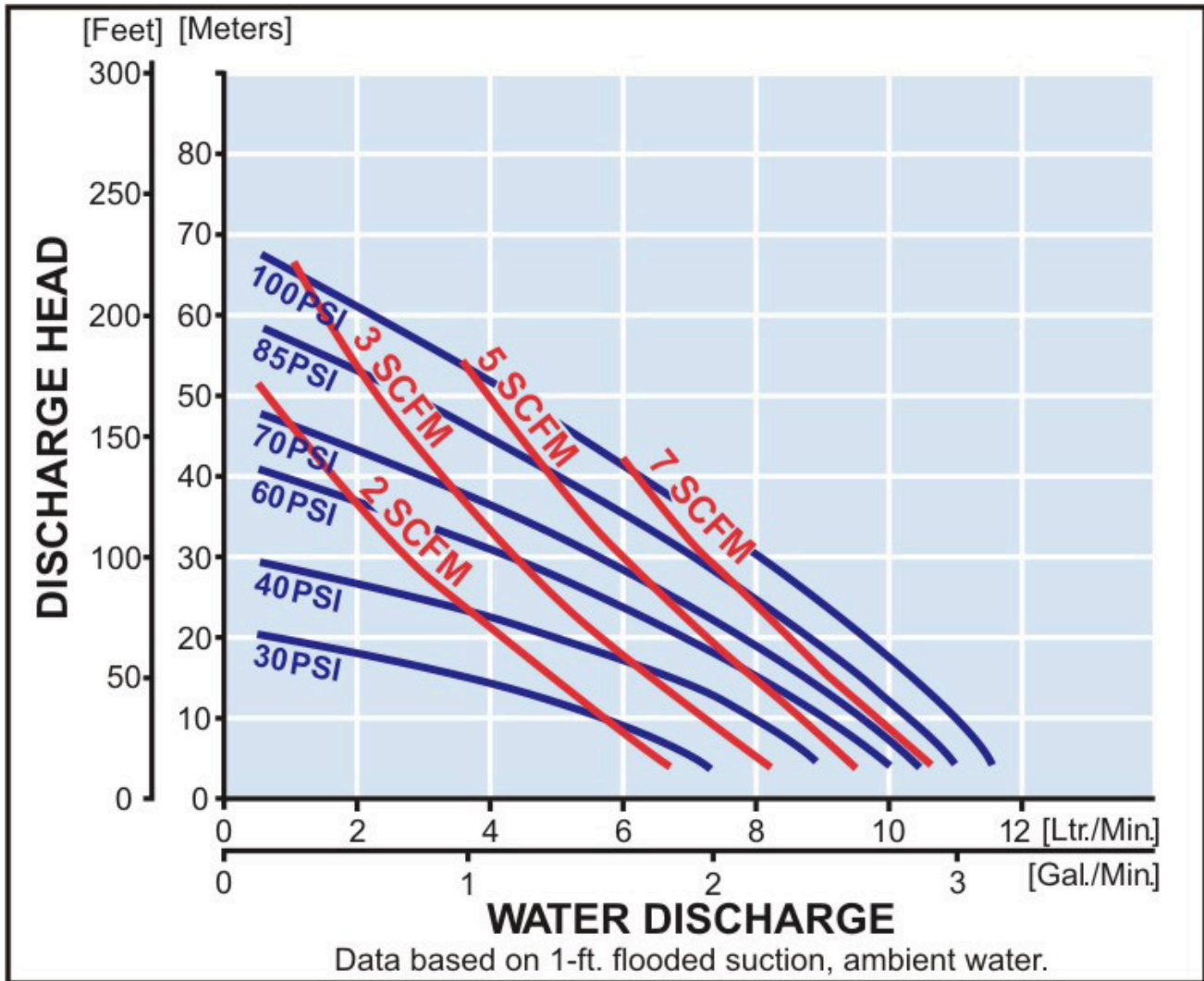
**Shipping Wt.:** 4.7 lbs.

## Model Number Nomenclature

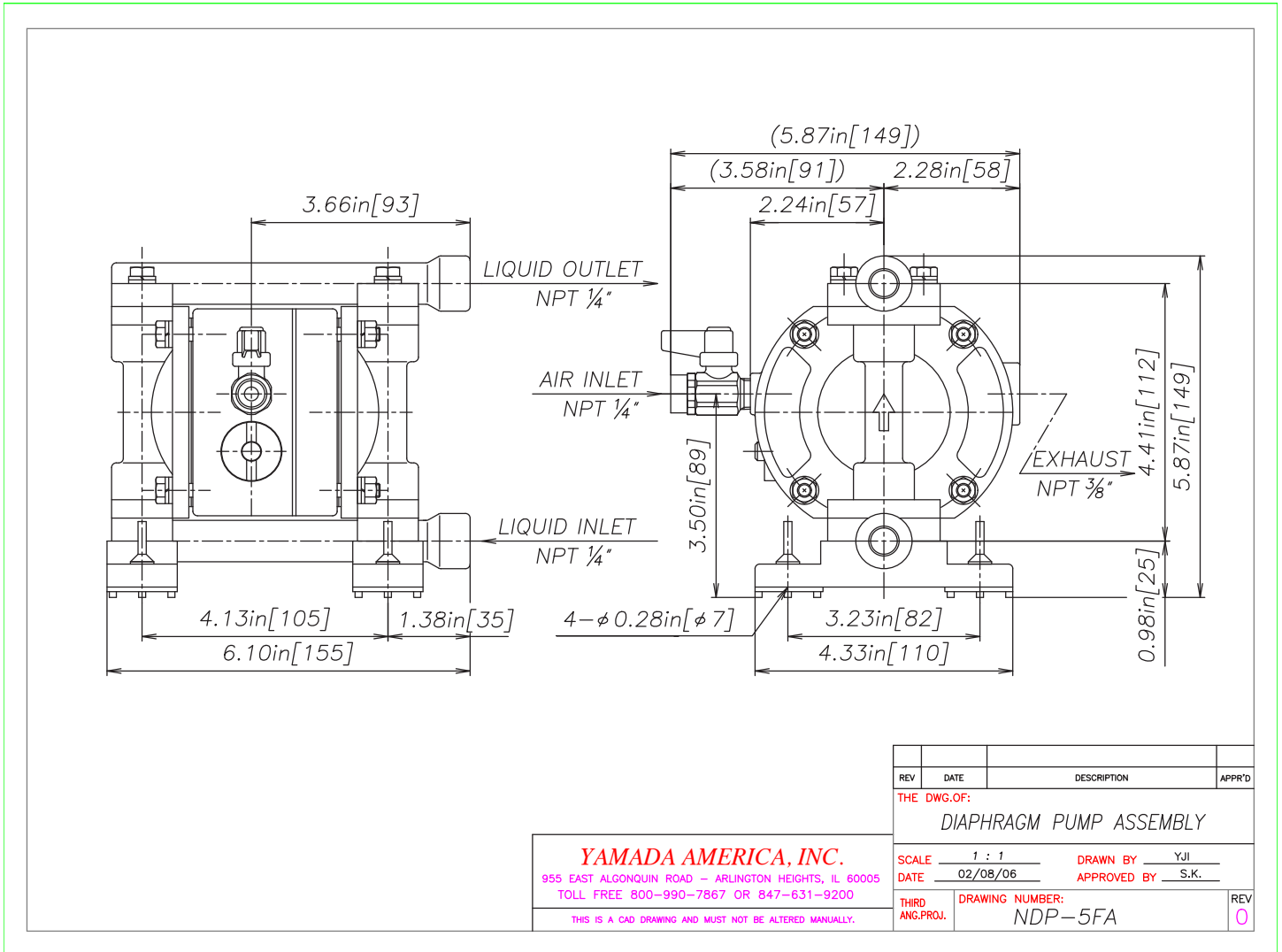


# NDP-5 Performance Curve

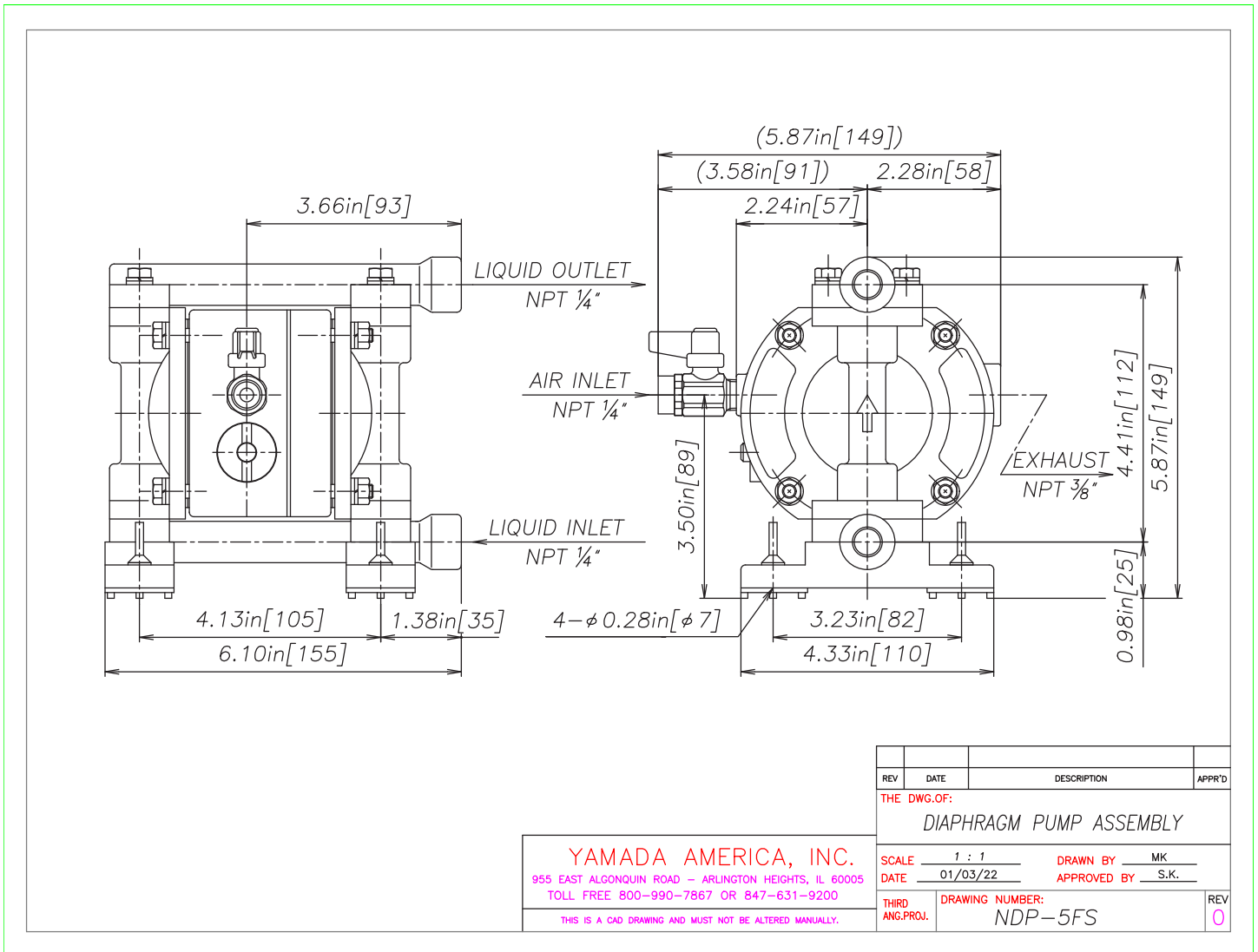
All Diaphragm Materials



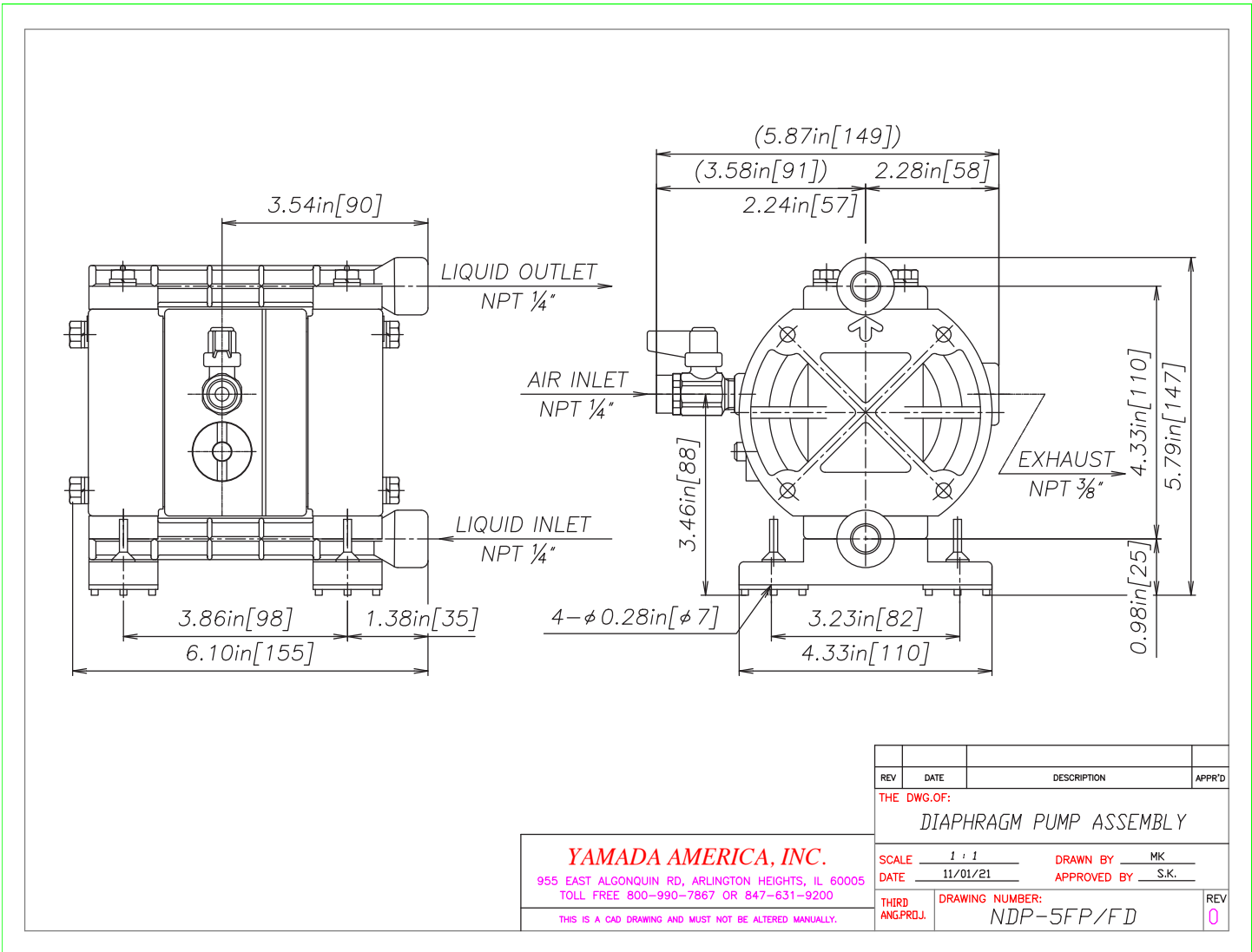
# NDP-5 Aluminum



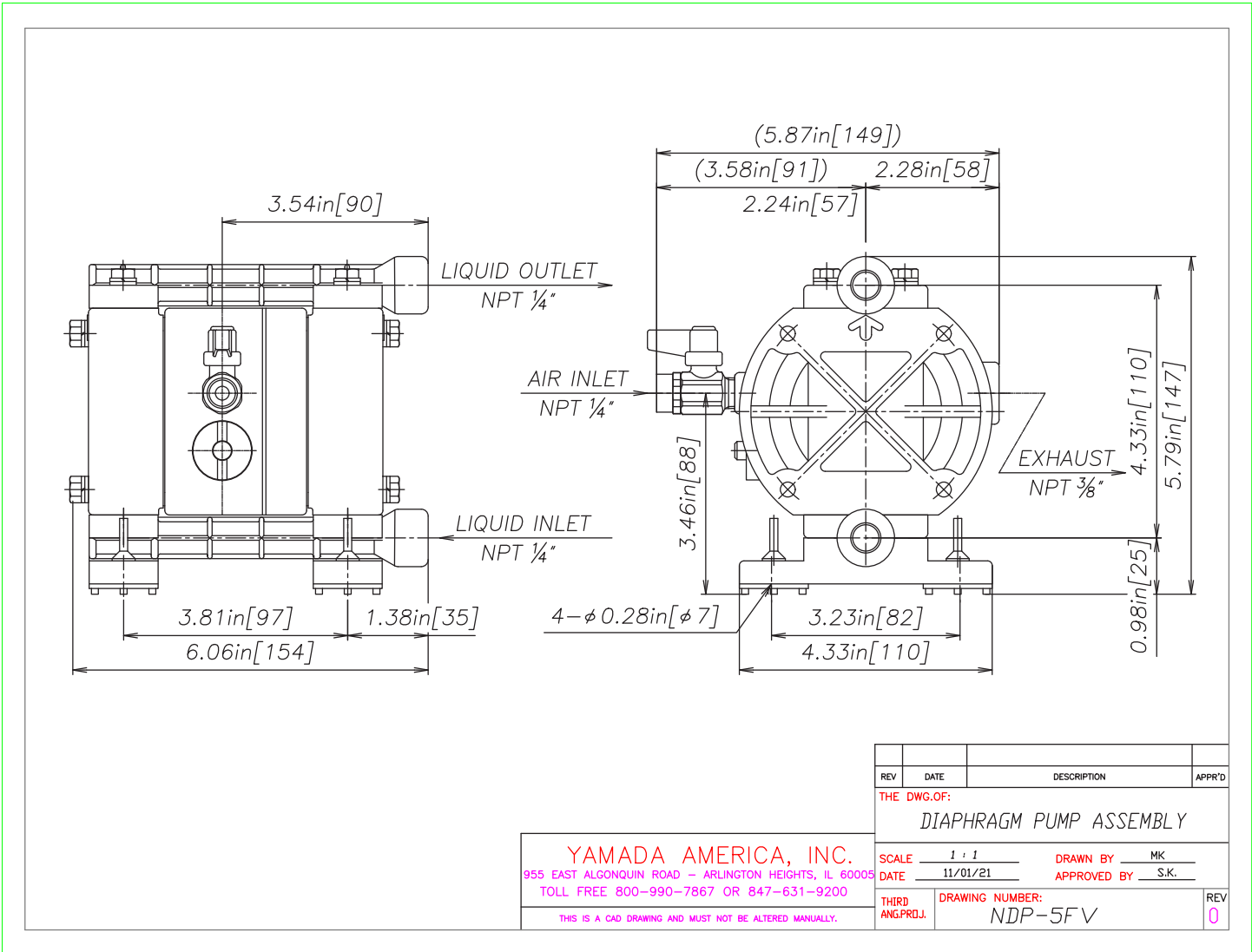
# NDP-5 Stainless Steel



# NDP-5 Polypropylene & Groundable Acetal



# NDP-5 Kynar



**AutoCAD®** is a registered trademark of Autodesk, Inc.

**Hytrel®** is a registered trademark of E.I. du Pont de Nemours and Company.

**Kynar®** is a registered trademark of Arkema.

**Nordel™** is a trademark of DuPont Dow Elastomers.

**Ryton®** is a registered trademark of Chevron Phillips Chemical Company.

**Santoprene®** is a registered trademark of Advanced Elastomer Systems.

**Viton®** is a registered trademark of DuPont Performance Elastomers.

**Swagelok™ & VCR™** are trademarks of the Swagelok Companies.

**Flaretek®** is a registered trademark of Entegris.

**Garlock ONE-UP®** is a registered trademark of W.L. Gore & Associates.

**Yamada®** is a registered trademark of Yamada America, Inc.

**SolidPRO Designed to Pump Fluids Containing Solids®** is a registered trademark of Yamada America, Inc.

**Xtreme Duty Pro XDP®** is a registered trademark of Yamada America, Inc.

**The Proof's in the Pump®** is a registered trademark of Yamada America, Inc.

**The Proof is in the Pump®** is a registered trademark of Yamada America, Inc.

**Engineered to Perform. Designed to Outlast.®** is a registered trademark of Yamada America, Inc.

Due to Yamada's continued commitment to product improvement, specifications may change without notice.