

## 68 Frame Block-Style Stainless Steel Plunger Pump

**Standard Models** 6801, 6811

**Flushed Models** 6801K, 6811K

### FEATURES

#### Superior Design

- Triplex plunger design provides smoother liquid flow.
- Oil bath crankcase assures optimum lubrication.
- Close tolerance concentricity of the ceramic plunger maximizes seal life.
- **Standard Models:** Lo-Pressure Seals and V-Packings are completely lubricated and cooled by the liquid being pumped.
- **Flushed K Models:** Special ported inlet manifold permits an external flush liquid providing cooling for hi-temp liquids and lubrication for low lubricity liquids.

#### Quality Materials

- Precision design 316 stainless steel valves and seats are hardened and polished for ultimate seating and extended valve life.
- 316 SSL block-style manifolds for strength and corrosion resistance.
- Special concentric, high-density, polished, solid ceramic plungers provide a true wear surface and extended seal life.
- Specially formulated, CAT PUMP exclusive, V-Packings offer unmatched performance and seal life.
- Die cast aluminum crankcase provides high strength, minimum weight and precision tolerance control.
- Optional Cast Iron crankcase for hazardous environments.
- Chrome-moly crankshaft gives unmatched strength and surface hardness.
- Oversized crankshaft bearings mean longer bearing life.

#### Easy Maintenance

- Wet-end is easily serviced without entering crankcase, requiring less time and effort.
- Inlet and discharge valve assemblies interchange for easier maintenance.
- Preset packings mean no packing gland adjustment is necessary, reducing maintenance costs.

#### **⚠ WARNING**

All systems require both a primary pressure regulating device (i.e., regulator, unloader) and a secondary pressure safety relief device (i.e., pop-off valve, safety valve). Failure to install such relief devices could result in personal injury or damage to the pump or to system components. CAT PUMPS does not assume any liability or responsibility for the operation of a customer's high pressure system.

### SPECIFICATIONS

U.S. Measure

Metric Measure

#### MODELS 6801, 6801K

Flow ..... 15.0 GPM (57 L/M)  
 Pressure Range ..... 100 to 7000 PSI (7 to 485 BAR)  
 RPM ..... 600 RPM (600 RPM)  
 Bore ..... 0.984" (25 mm)

#### MODELS 6811, 6811K

Flow ..... 15.0 GPM (57 L/M)  
 Pressure Range ..... 100 to 5000 PSI (7 to 345 BAR)  
 RPM ..... 600 RPM (600 RPM)  
 Bore ..... 0.984" (25 mm)

#### COMMON SPECIFICATIONS

Inlet Pressure Range\* ..... Flooded to 50 PSI (Flooded to 3.5 BAR)  
 Stroke ..... 2.579" (65.5 mm)  
 Crankcase Capacity ..... 10 Qts. (9.46 L)  
 Maximum Liquid Temperature ..... 140°F (60°C)  
 Above 130°F call CAT PUMPS for inlet conditions and elastomer recommendations.  
 Inlet Ports (2) ..... 1-1/2" NPTF (1-1/2" NPTF)  
 Flushing Ports (2)\* ..... 1/2" NPTF (1/2" NPTF)  
 Discharge Ports (2) ..... 1" NPTF (1" NPTF)  
 Shaft Diameter ..... 1.772" (45 mm)  
 Weight ..... 355 lbs. (161 kg)  
 Dimensions ..... 29.5 x 24.33 x 11.98" (750 x 618 x 305 mm)

\* Flushed K Models: Special ported inlet manifold permits an external flush liquid providing cooling for hi-temp liquids and lubrication for low lubricity liquids.

### ELECTRIC HORSEPOWER REQUIREMENTS

| MODEL         | FLOW     |     | PRESSURE |          |          |          |          | RPM |
|---------------|----------|-----|----------|----------|----------|----------|----------|-----|
|               |          |     | PSI 3000 | PSI 4000 | PSI 5000 | PSI 6000 | PSI 7000 |     |
|               | U.S. GPM | L/M | BAR 210  | BAR 275  | BAR 345  | BAR 415  | BAR 485  |     |
| 6801<br>6801K | 15       | 57  | 30.8     | 41.1     | 51.4     | 61.6     | 71.9     | 600 |
|               | 12       | 45  | 24.7     | 32.9     | 41.1     | 49.3     | 57.5     | 480 |
|               | 10       | 38  | 20.5     | 27.4     | 34.2     | 41.1     | 47.9     | 400 |
| 6811<br>6811K | 15       | 57  | 30.8     | 41.1     | 51.4     | N/A      | N/A      | 600 |
|               | 12       | 45  | 24.7     | 32.9     | 41.4     | N/A      | N/A      | 480 |
|               | 10       | 38  | 20.5     | 27.4     | 43.2     | N/A      | N/A      | 400 |

**DETERMINING THE PUMP R.P.M.**  $\frac{\text{Rated G.P.M.}}{\text{Rated R.P.M.}} = \frac{\text{"Desired" G.P.M.}}{\text{"Desired" R.P.M.}}$

**DETERMINING THE REQUIRED H.P.**  $\frac{\text{GPM x PSI}}{1460} = \text{Electric Brake H. P. Required}$

**DETERMINING MOTOR PULLEY SIZE**  $\frac{\text{Motor Pulley O.D.}}{\text{Pump R.P.M.}} = \frac{\text{Pump Pulley O.D.}}{\text{Motor R.P.M.}}$

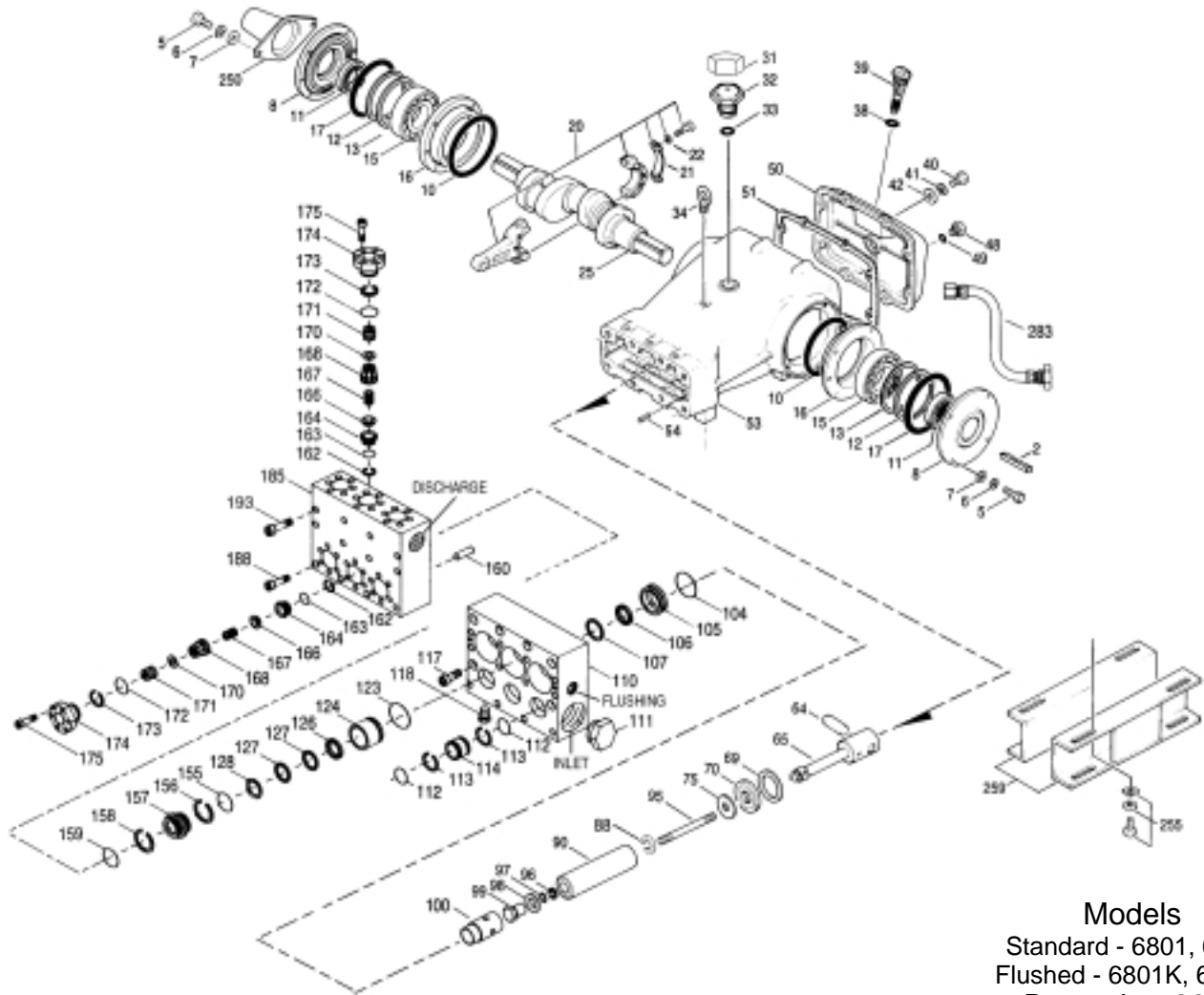
See complete Drive Packages [Incls: Pulleys, Belts, Hubs, Key] Tech Bulletin 003.  
 Refer to pump **Service Manual** for repair procedure, additional technical information and **pump warranty**.

*"Customer confidence is our greatest asset"*

# PARTS LIST

| ITEM | PART NUMBER |        |        |        | DESCRIPTION | QTY    |        |        |  |      |
|------|-------------|--------|--------|--------|-------------|--------|--------|--------|--|------|
|      | 6801        | MATL   | 6801K  | MATL   | 6811        | MATL   | 6811K  | MATL   |  |      |
| 2    | 43048       | STL    | 43048  | STL    | 43048       | STL    | 43048  | STL    | Key (M14x9x90)                           | 1    |
| 5    | 89728       | S      | 89728  | S      | 89728       | S      | 89728  | S      | Screw, HH (M10x40)                       | 8    |
| 6    | 15847       | S      | 15847  | S      | 15847       | S      | 15847  | S      | Lockwasher (M10)                         | 8    |
| 7    | 19934       | S      | 19934  | S      | 19934       | S      | 19934  | S      | Washer, Flat (M10)                       | 8    |
| 8    | 29443       | AL     | 29443  | AL     | 29443       | AL     | 29443  | AL     | Cover, Bearing - Outer                   | 2    |
| 10   | 29444       | NBR    | 29444  | NBR    | 29444       | NBR    | 29444  | NBR    | O-Ring, Bearing Cover -70D               | 2    |
| 11   | 11443       | NBR    | 11443  | NBR    | 11443       | NBR    | 11443  | NBR    | Seal, Oil, Crankshaft - 70D              | 2    |
| 12   | 43642       | STZP   | 43642  | STZP   | 43642       | STZP   | 43642  | STZP   | Washer, Shim (M120x0.3)                  | 0-2  |
|      | 126594      | STCP R | 126594 | STCP R | 126594      | STCP R | 126594 | STCP R | Washer, Shim (M120x0.3)                  | 0-2  |
| 13   | 126595      | STCP R | 126595 | STCP R | 126595      | STCP R | 126595 | STCP R | Washer, Shim (M120x0.5)                  | 0-2  |
| 15   | 29441       | STL    | 29441  | STL    | 29441       | STL    | 29441  | STL    | Bearing, Roller                          | 2    |
| 16   | 29442       | STL    | 29442  | STL    | 29442       | STL    | 29442  | STL    | Cover, Bearing - Inner                   | 2    |
| 17   | 29444       | NBR    | 29444  | NBR    | 29444       | NBR    | 29444  | NBR    | O-Ring, Bearing Cover - 70D              | 2    |
| 20   | 126612      | BBHS   | 126612 | BBHS   | 126612      | BBHS   | 126612 | BBHS   | Assembly, Connecting Rod (Incls: 21, 22) | 3    |
| 21   | 126560      | STCP R | 126560 | STCP R | 126560      | STCP R | 126560 | STCP R | Washer, Locking                          | 3    |
| 22   | 126593      | STCP R | 126593 | STCP R | 126593      | STCP R | 126593 | STCP R | Washer, Shim (M10.5x1.5)                 | 6    |
| 25   | 29440       | FCM    | 29440  | FCM    | 29440       | FCM    | 29440  | FCM    | Crankshaft, Dual Shaft                   | 1    |
| 31   | 828710      | —      | 828710 | —      | 828710      | —      | 828710 | —      | Protector, Oil Cap w/Foam Gasket         | 1    |
| 32   | 43211       | ABS    | 43211  | ABS    | 43211       | ABS    | 43211  | ABS    | Cap, Oil Filler                          | 1    |
| 33   | 14177       | NBR    | 14177  | NBR    | 14177       | NBR    | 14177  | NBR    | O-Ring, Filler Cap - 70D                 | 1    |
| 34   | 126743      | STCP R | 126743 | STCP R | 126743      | STCP R | 126743 | STCP R | Bolt, Eye (M12) (For Lifting Pump Only)  | 1    |
| 38   | 11338       | NBR    | 11338  | NBR    | 11338       | NBR    | 11338  | NBR    | O-Ring, Dip Stick - 70D                  | 1    |
| 39   | 27769       | ABS    | 27769  | ABS    | 27769       | ABS    | 27769  | ABS    | Stick, Dip                               | 1    |
| 40   | 89627       | S      | 89627  | S      | 89627       | S      | 89627  | S      | Screw, HH (M10x30)                       | 8    |
| 41   | 15847       | S      | 15847  | S      | 15847       | S      | 15847  | S      | Lockwasher (M10)                         | 8    |
| 42   | 19934       | S      | 19934  | S      | 19934       | S      | 19934  | S      | Washer, Flat (M10)                       | 8    |
| 48   | 25625       | STCP   | 25625  | STCP   | 25625       | STCP   | 25625  | STCP   | Plug, Drain (1/4"x19BSP)                 | 1    |
| 49   | 23170       | NBR    | 23170  | NBR    | 23170       | NBR    | 23170  | NBR    | O-Ring, Drain Plug - 70D                 | 1    |
| 50   | 29438       | AL     | 29438  | AL     | 29438       | AL     | 29438  | AL     | Cover, Rear                              | 1    |
| 51   | 29439       | NBR    | 29439  | NBR    | 29439       | NBR    | 29439  | NBR    | Gasket, Rear Cover                       | 1    |
| 53   | 45303       | AL     | 45303  | AL     | 45303       | AL     | 45303  | AL     | Crankcase (Incls: 34, 54)                | 1    |
| 54   | 43282       | S      | 43282  | S      | 43282       | S      | 43282  | S      | Pin, Guide                               | 2    |
| 64   | 29481       | CM     | 29481  | CM     | 29481       | CM     | 29481  | CM     | Pin, Crosshead                           | 3    |
| 65   | 48735       | SSZZ   | 48735  | SSZZ   | 48735       | SSZZ   | 48735  | SSZZ   | Rod, Plunger                             | 3    |
| 69   | 126588      | STCP R | 126588 | STCP R | 126588      | STCP R | 126588 | STCP R | Washer, Oil Seal                         | 3    |
| 70   | 29454       | NBR    | 29454  | NBR    | 29454       | NBR    | 29454  | NBR    | Seal, Oil Crankcase - 80D                | 3    |
| 75   | 43865       | S      | 43865  | S      | 43865       | S      | 43865  | S      | Slinger Barrier                          | 3    |
| 88   | 45676       | S      | 45676  | S      | 45676       | S      | 45676  | S      | Washer, Keyhole (M16)                    | 3    |
| 90   | 43866       | CC     | 43866  | CC     | 43866       | CC     | 43866  | CC     | Plunger (M12x145)                        | 3    |
| 95   | 89778       | SS     | 89778  | SS     | 89778       | SS     | 89778  | SS     | Stud, Plunger Retainer (M10x135)         | 3    |
| 96   | 20189       | PTFE   | 20189  | PTFE   | 20189       | PTFE   | 20189  | PTFE   | Back-up-Ring, Plunger Retainer           | 3    |
| 97   | 11345       | NBR    | 11345  | NBR    | 11345       | NBR    | 11345  | NBR    | O-Ring, Plunger Retainer - 70D           | 3    |
|      | 11375       | FPM    | 11375  | FPM    | 11375       | FPM    | 11375  | FPM    | O-Ring, Plunger Retainer                 | 3    |
|      | 701490      | EPDM   | 701490 | EPDM   | 701490      | EPDM   | 701490 | EPDM   | O-Ring, Plunger Retainer                 | 3    |
| 98   | 44085       | SS     | 44085  | SS     | 44085       | SS     | 44085  | SS     | Gasket, Plunger Retainer                 | 3    |
| 99   | 44084       | SS     | 44084  | SS     | 44084       | SS     | 44084  | SS     | Retainer, Plunger (M10)                  | 3    |
| 100  | 703084      | D      | 703084 | D      | 703084      | D      | 703084 | D      | Retainer, Seal                           | 3    |
| 104  | 43875       | NBR    | 43875  | NBR    | 43875       | NBR    | 43875  | NBR    | O-Ring, Adapter, Inlet - 70D             | 3    |
|      | 44826       | FPM    | 44826  | FPM    | 44826       | FPM    | 44826  | FPM    | O-Ring, Adapter, Inlet - 70D             | 3    |
|      | 701656      | EPDM   | 701656 | EPDM   | 701656      | EPDM   | 701656 | EPDM   | O-Ring, Adapter, Inlet - 70D             | 3    |
| 105  | 701323      | SS     | 701323 | SS     | 701323      | SS     | 701323 | SS     | Adapter, Inlet, LPS                      | 3    |
| 106  | 44086       | NBR    | 44086  | NBR    | 44086       | NBR    | 44086  | NBR    | Seal, LPS, w/SS-Spg                      | 3    |
|      | 45846       | FPM    | 45846  | FPM    | 45846       | FPM    | 45846  | FPM    | Seal, LPS, w/SS-Spg                      | 3    |
|      | 701944      | SFTA*  | 701944 | SFTA*  | 701944      | SFTA*  | 701944 | SFTA*  | Seal, LPS, w/SS-Spg                      | 3    |
| 107  | 44089       | SS     | 44089  | SS     | 44089       | SS     | 44089  | SS     | Washer, LPS                              | 3    |
| 110  | 701321      | SSL    | 701321 | SSL    | 701321      | SSL    | 701321 | SSL    | Manifold Inlet, Block-Style              | 1    |
|      | —           | —      | 701322 | SSL    | —           | —      | 701322 | SSL    | Manifold Inlet, Block-Style, Flushed     | 1    |
| 111  | 701116      | SS     | 701116 | SS     | 701116      | SS     | 701116 | SS     | Plug, Inlet Manifold (1-1/2" NPTM)       | 1    |
| 112  | 701632      | NBR    | 701632 | NBR    | 701632      | NBR    | 701632 | NBR    | O-Ring, Spacer                           | 6    |
|      | 701328      | FPM    | 701328 | FPM    | 701328      | FPM    | 701328 | FPM    | O-Ring, Spacer                           | 6    |
|      | 701973      | EPDM   | 701973 | EPDM   | 701973      | EPDM   | 701973 | EPDM   | O-Ring, Spacer                           | 6    |
| 113  | 701329      | PTFE   | 701329 | PTFE   | 701329      | PTFE   | 701329 | PTFE   | Back-up-Ring, Spacer                     | 6    |
| 114  | 701327      | SS     | 701327 | SS     | 701327      | SS     | 701327 | SS     | Spacer, Inlet                            | 6    |
| 117  | 89694       | S      | 89694  | S      | 89694       | S      | 89694  | S      | Screw, HSH (M16x110)                     | 8    |
| 118  | 701077      | SS     | 701077 | SS     | 701077      | SS     | 701077 | SS     | Plug (1/4" NPTM)                         | 3    |
| 123  | 12391       | NBR    | 12391  | NBR    | 12391       | NBR    | 12391  | NBR    | O-Ring, V-Packing Cylinder - 70D         | 3    |
|      | 13266       | FPM    | 13266  | FPM    | 13266       | FPM    | 13266  | FPM    | O-Ring, V-Packing Cylinder - 70D         | 3    |
|      | 701657      | EPDM   | 701657 | EPDM   | 701657      | EPDM   | 701657 | EPDM   | O-Ring, V-Packing Cylinder - 70D         | 3    |
| 124  | 701324      | SSL    | 701324 | SSL    | 701324      | SSL    | 701324 | SSL    | Cylinder, V-Packing                      | 3    |
| 126  | 701325      | SS     | 701325 | SS     | 701325      | SS     | 701325 | SS     | Adapter, Female                          | 3    |
| 127  | 44610       | STG*   | 44610  | STG*   | 44610       | STG*   | 44610  | STG*   | V-Packing                                | 6    |
| 128  | 701326      | SS     | 701326 | SS     | 701326      | SS     | 701326 | SS     | Adapter, Male                            | 3    |
| 155  | 11379       | NBR    | 11379  | NBR    | 11379       | NBR    | 11379  | NBR    | O-Ring, V-Packing Spacer, Inner - 70D    | 3    |
|      | 14183       | FPM    | 14183  | FPM    | 14183       | FPM    | 14183  | FPM    | O-Ring, V-Packing Spacer, Inner          | 3    |
|      | 701491      | EPDM   | 701491 | EPDM   | 701491      | EPDM   | 701491 | EPDM   | O-Ring, V-Packing Spacer, Inner - 70D    | 3    |
| 156  | 28243       | PTFE   | 28243  | PTFE   | 28243       | PTFE   | 28243  | PTFE   | Back-up-Ring, Spacer, Inner              | 3    |
| 157  | 701294      | SS     | 701294 | SS     | 701294      | SS     | 701294 | SS     | Spacer, V-Packing                        | 3    |
| 158  | 28243       | PTFE   | 28243  | PTFE   | 28243       | PTFE   | 28243  | PTFE   | Back-up-Ring, Spacer, Outer              | 3    |
| 159  | 11379       | NBR    | 11379  | NBR    | 11379       | NBR    | 11379  | NBR    | O-Ring, V-Packing Spacer, Outer - 70D    | 3    |
|      | 14183       | FPM    | 14183  | FPM    | 14183       | FPM    | 14183  | FPM    | O-Ring, V-Packing Spacer, Outer          | 3    |
|      | 701491      | EPDM   | 701491 | EPDM   | 701491      | EPDM   | 701491 | EPDM   | O-Ring, V-Packing Spacer, Outer - 70D    | 3    |
| 160  | 44756       | S      | 44756  | S      | 44756       | S      | 44756  | S      | Pin, Guide IMDM                          | 2    |
| 162  | 21985       | PTFE   | 21985  | PTFE   | 21985       | PTFE   | 21985  | PTFE   | Back-up-Ring, Seat                       | 12/6 |
| 163  | 26089       | NBR    | 26089  | NBR    | 26089       | NBR    | 26089  | NBR    | O-Ring, Seat - 80D                       | 12/6 |
|      | 11377       | FPM    | 11377  | FPM    | 11377       | FPM    | 11377  | FPM    | O-Ring, Seat - 80D                       | 12/6 |
|      | 46647       | EPDM   | 46647  | EPDM   | 46647       | EPDM   | 46647  | EPDM   | O-Ring, Seat - 80D                       | 12/6 |
| 164  | 44080       | SS     | 44080  | SS     | 44080       | SS     | 44080  | SS     | Seat                                     | 6    |
| 166  | 44081       | SS     | 44081  | SS     | 44081       | SS     | 44081  | SS     | Valve                                    | 6    |
| 167  | 44082       | SS     | 44082  | SS     | 44082       | SS     | 44082  | SS     | Spring                                   | 6    |
| 168  | 44735       | PVDF   | 44735  | PVDF   | 44735       | PVDF   | 44735  | PVDF   | Retainer, Spring                         | 6    |
| 170  | 44794       | SS     | 44794  | SS     | 44794       | SS     | 44794  | SS     | Washer, Retainer                         | 6    |

# EXPLODED VIEW



Models  
 Standard - 6801, 6811  
 Flushed - 6801K, 6811K  
 December 2008

|     | <b>6801</b>   | <b>MATL</b> | <b>6801K</b>  | <b>MATL</b> | <b>6811</b>   | <b>MATL</b> | <b>6811K</b>  | <b>MATL</b> |  |    |
|-----|---------------|-------------|---------------|-------------|---------------|-------------|---------------|-------------|--|----|
| 171 | 44793         | SS          | 44793         | SS          | 44793         | SS          | 44793         | SS          | Spring, Coil   | 6  |
| 172 | 15853         | NBR         | 15853         | NBR         | 15853         | NBR         | 15853         | NBR         | O-Ring, Valve Plug - 70D   | 6  |
|     | 11720         | FPM         | 11720         | FPM         | 11720         | FPM         | 11720         | FPM         | O-Ring, Valve Plug - 70D   | 6  |
|     | ♦ 701481      | EPDM        | ♦ 701481      | EPDM        | ♦ 701481      | EPDM        | ♦ 701481      | EPDM        | O-Ring, Valve Plug - 70D   | 6  |
| 173 | 20224         | PTFE        | 20224         | PTFE        | 20224         | PTFE        | 20224         | PTFE        | Back-up-Ring, Valve Plug   | 6  |
| 174 | 701260        | SS          | 701260        | SS          | 701260        | SS          | 701260        | SS          | Plug, Valve  | 6  |
| 175 | 87951         | S           | 87951         | S           | 87951         | S           | 87951         | S           | Screw, HSH (M10x30)  | 36 |
| 185 | <b>703206</b> | <b>SSD</b>  | <b>703206</b> | <b>SSD</b>  | <b>701320</b> | <b>SSL</b>  | <b>701320</b> | <b>SSL</b>  | Manifold, Discharge, Block-Style                                   | 1  |
| 188 | 701279        | S           | 701279        | S           | 701279        | S           | 701279        | S           | Screw, HSH (M12x100), Lower  | 4  |
| 193 | 89694         | S           | 89694         | S           | 89694         | S           | 89694         | S           | Screw, HSH (M16x110), Upper  | 8  |
| 250 | 29445         | AL          | 29445         | AL          | 29445         | AL          | 29445         | AL          | Protector, Shaft   | 1  |
| 255 | 33243         | STZP        | 33243         | STZP        | 33243         | STZP        | 33243         | STZP        | Kit, Mount (Included w/Pump)                                       | 2  |
| 259 | 29477         | STZP        | 29477         | STZP        | 29477         | STZP        | 29477         | STZP        | Rail, Box (Included w/Pump)  | 2  |
| 275 | 990014        | STL         | 990014        | STL         | 990014        | STL         | 990014        | STL         | Hub, "B", M45 w/Keyway [See Drive Packages Tech Bulletin 003]      | 1  |
| 283 | 34314         | —           | 34314         | —           | 34314         | —           | 34314         | —           | Kit, Oil Drain   | 1  |
| 290 | 6124          | —           | 6124          | —           | 6124          | —           | 6124          | —           | Gasket, Liquid (3 oz.) (Seal-Valve Service)                        | 1  |
| 299 | <b>910008</b> | <b>SSD</b>  | —             | —           | <b>910000</b> | <b>SSL</b>  | —             | —           | Head, Complete, Block-Style  | 1  |
|     | —             | —           | <b>910009</b> | <b>SSD</b>  | —             | —           | <b>910005</b> | <b>SSL</b>  | Head, Complete, Block-Style, Flushed                               | 1  |
| 300 | 701648        | NBR*        | 701648        | NBR*        | 701648        | NBR*        | 701648        | NBR*        | Kit, Seal (Incls: 97,104,106,112,113,123,127,155,156,158,159)      | 1  |
|     | 33710         | FPM*        | 33710         | FPM*        | 33710         | FPM*        | 33710         | FPM*        | Kit, Seal (Incls: 97,104,106,112,113,123,127,155,156,158,159)      | 1  |
|     | ♦ 702353      | EPDM        | ♦ 702353      | EPDM        | ♦ 702353      | EPDM        | ♦ 702353      | EPDM        | Kit, Seal (Incls: 97,104,106,112,113,123,127,155,156,158,159)      | 1  |
| 310 | 34151         | NBR         | 34151         | NBR         | 34151         | NBR         | 34151         | NBR         | Kit, Valve (Incls: 162,163,164,166,167,168,170,172,173)            | 2  |
|     | 701798        | FPM         | 701798        | FPM         | 701798        | FPM         | 701798        | FPM         | Kit, Valve (Incls: 162,163,164,166,167,168,170,172,173)            | 2  |
|     | ♦ 701799      | EPDM        | ♦ 701799      | EPDM        | ♦ 701799      | EPDM        | ♦ 701799      | EPDM        | Kit, Valve (Incls: 162,163,164,166,167,168,170,172,173)            | 2  |
| —   | 819010        | F           | 819010        | F           | 819010        | F           | 819010        | F           | Assy, Crankcase, Cast Iron Conversion                              | 1  |
| 370 | —             | —           | <b>990663</b> | —           | —             | —           | <b>990663</b> | —           | Assembly, Flushing, 5 gal., 115V, 1.1 Amp, 1/2" NPT                | 1  |
| —   | 711500        | SS          | 711500        | SS          | 714500        | SS          | 714500        | SS          | C.A.T. (Inlet pressure stabilizer for RO and boosted applications) | 1  |
| —   | 711506        | SS          | 711506        | SS          | 714506        | SS          | 714506        | SS          | Adapter (2 per C.A.T.) (See Data Sheet for complete selection)     | 2  |
| —   | 6575          | —           | 6575          | —           | 6575          | —           | 6575          | —           | Plunger Pump Service DVD   | 1  |
| —   | 6105          | —           | 6105          | —           | 6105          | —           | 6105          | —           | Oil, Twin Pack (Two-2.5 Gal) ISO-68 Hydraulic                      | 1  |
| —   | —             | —           | —             | —           | —             | —           | —             | —           | (Fill to specified crankcase capacity prior to start-up)           |    |
| —   | 6119          | —           | 6119          | —           | 6119          | —           | 6119          | —           | Lubricant, Antiseize (1 oz.)                                       | 1  |

**Bold print part numbers are unique to a particular pump model. Italics are optional items.** ♦Silicone oil/grease required. R Components comply with RoHS Directive.

\* Review material codes for individual items (STG generally may be used as alternate).

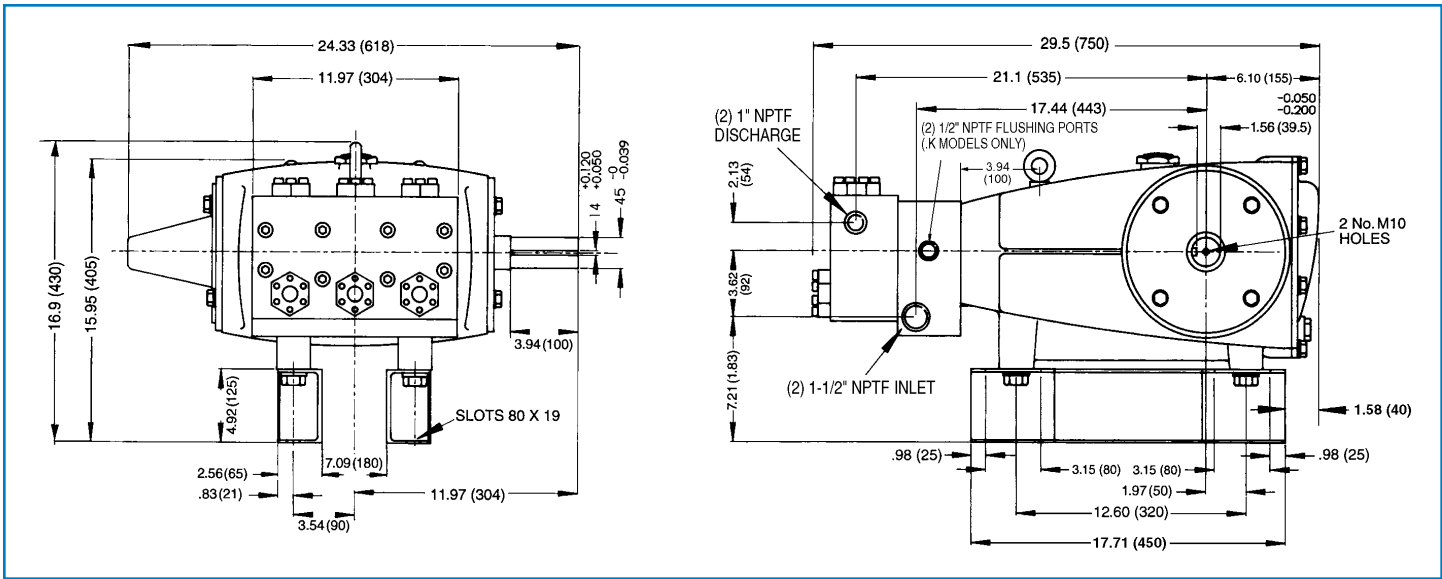
See Tech Bulletins 003, 024, 036, 074, 077, 083, 084, 087, 095 and 105 for additional information. **C.A.T. highly recommended for pressurized inlet, R.O. and Industrial applications.**

MATERIAL CODES (Not Part of Part Number): ABS=ABS Plastic AL=Aluminum BBHS=Brass/High Strength CC=Ceramic CM=Chrome-Moly

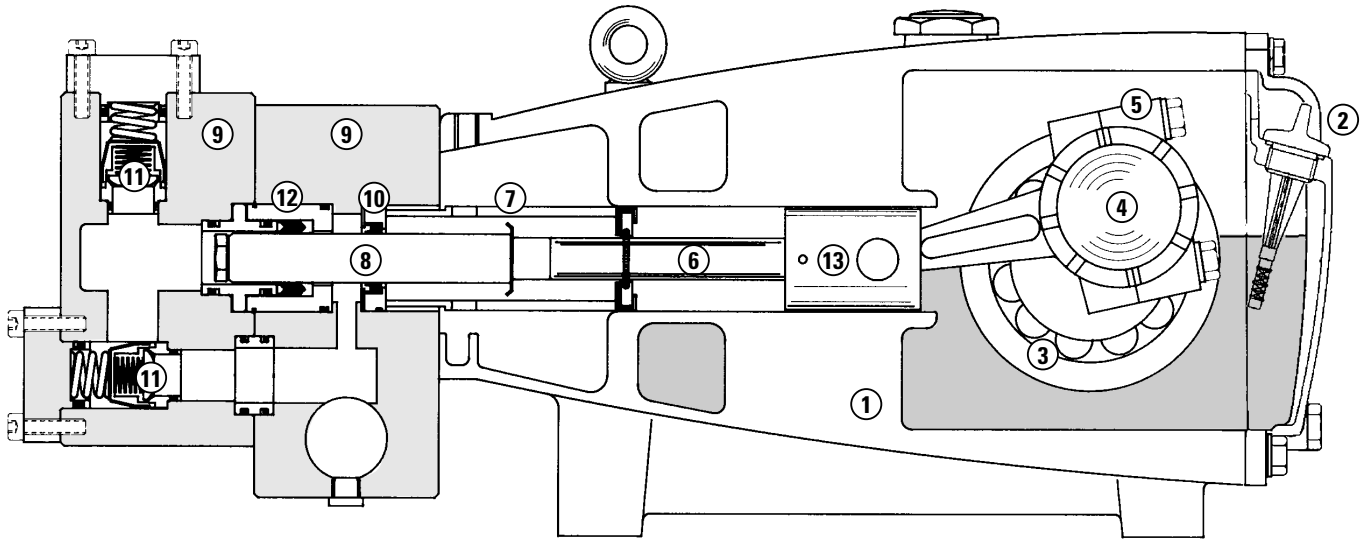
D=Acetal EPDM=Ethylene Propylene Diene Monomer FCM=Forged Chrome-Moly FPM=Fluorocarbon NBR=Medium Nitrile (Buna-N)

PTFE=Pure Polytetrafluoroethylene PVDF=Polyvinylidene Fluoride S=304SS SS=316SS SSL=316SS/Low Carbon SSZZ=316SS/Zamark

STCP=Steel/Chrome Plated STG=Special Blend PTFE White STL=Steel STZP=Steel/Zinc Plated



Models 6801, 6801K, 6811, 6811K



- 1 Die cast aluminum **crankcase** means high strength, lightweight, and excellent tolerance control.
- 2 **Dipstick** offers top access for easy oil level check.
- 3 Oversized crankshaft **bearings** provide extended bearing life and pump performance.
- 4 Chrome-moly **crankshaft** provides unmatched strength and surface hardness for long life.
- 5 Matched oversized high strength **connecting rods** are noted for superior tensile strength and bearing quality.
- 6 Special stainless steel high strength **plunger rods** for high load bearing and longevity.
- 7 The stainless steel **barrier slinger** provides back-up protection for the crankcase seal, keeping pumped liquids out of the crankcase.
- 8 Special concentric, high-density, polished, solid ceramic **plungers** provide a true wear surface and extended seal life.
- 9 **Manifolds** are 316 SSL or Duplex block-style for long-term, continuous-duty and corrosion resistance.
- 10 **Standard Models:** Lo-Pressure Seals and V-Packings are completely lubricated and cooled by the liquids being pumped.
- 10 Optional special ported **Flushed Inlet Manifold** permits external flush for lubricating and cooling seals when pumping liquids such as DI water, Hi-Temp or low lubricity.
- 11 316 stainless steel **valves, seats and springs** provide corrosion-resistance, ultimate seating and extended life.
- 12 Specially formulated, CAT PUMP exclusive, **V-Packings** offer unmatched performance and seal life.
- 13 **Crossheads** are 360° supported for uncompromising alignment.

**World Headquarters**  
**CAT PUMPS**  
 1681 - 94th Lane N.E. Minneapolis, MN 55449-4324  
 Phone (763) 780-5440 — FAX (763) 780-2958  
 e-mail: techsupport@catpumps.com  
 www.catpumps.com

**International Inquiries**  
 FAX (763) 785-4329  
 e-mail: intlsales@catpumps.com



**CAT PUMPS (U.K.) LTD.**  
 1 Fleet Business Park, Sandy Lane, Church Crookham  
 FLEET, Hampshire, GU52 8BF, England  
 Phone Fleet 44 1252-622031 — Fax 44 1252-626655  
 e-mail: sales@catpumps.co.uk www.catpumps.co.uk

**N.V. CAT PUMPS INTERNATIONAL S.A.**  
 Heiveldekens 6A, B-2550 Kontich, Belgium  
 Phone 32-3-450.71.50 — Fax 32-3-450.71.51  
 e-mail: cpi@catpumps.be www.catpumps.be

**CAT PUMPS DEUTSCHLAND GmbH**  
 Buchwiese 2, D-65510 Idstein, Germany  
 Phone 49 6126-9303 0 — Fax 49 6126-9303 33  
 e-mail: catpumps@t-online.de www.catpumps.de