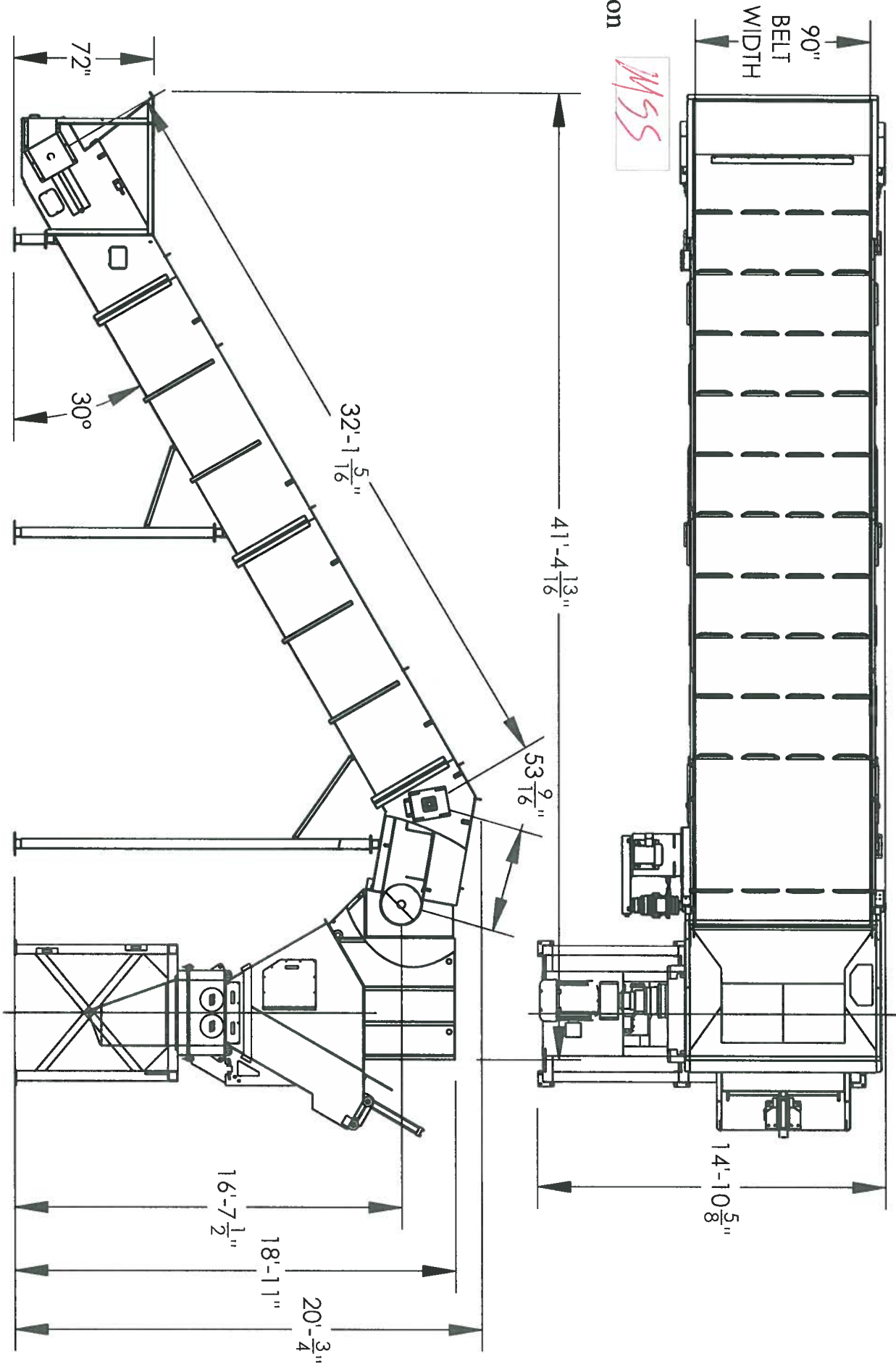


Initial for  
control location

REVISIONS			
REV	DESCRIPTION	BY	DATE

Initial for  
control location



APPROVED BY Max Sims

DATE 3-1-2018

VOLTAGE: 460/60Hz/3Ph

ALL DIMENSIONS ARE NOMINAL ± 1"  
SPECIFICATIONS ARE SUBJECT TO  
CHANGE WITHOUT NOTICE.

UNLESS OTHERWISE SPECIFIED:

DIMENSIONS ARE IN INCHES  
TOLERANCES:  
FRACTIONAL: ± 1/16"  
ANGULAR: MACH ± 1° BEND ± 1°  
TWO PLACE DECIMAL ± 1/16"  
THREE PLACE DECIMAL ± 1/16"

MATERIAL  
N/A

WEIGHT  
FINISH



P.O. BOX 310  
PRIEST RIVER, IDAHO 83856  
FAX (208) 448-1786  
(208) 448-4736

NAME	DATE
MODELED BY JCB	06/11/14
DRAWING BY ARH	2/27/18
CHECKED BY ARH	2/27/18

PROPRIETARY AND CONFIDENTIAL

THE INFORMATION CONTAINED IN THIS DRAWING IS THE SOLE PROPERTY OF R/E/M. NO PART OF THIS DRAWING IS TO BE REPRODUCED OR TRANSMITTED IN ANY FORM OR BY ANY MEANS, WITHOUT THE WRITTEN PERMISSION OF R/E/M. RECYCLING EQUIPMENT MANUFACTURING IS PROHIBITED.

TITLE:

FINAL TRC

SIZE DWG. NO.

**A** 00-7020 FINAL ASSY  
TRC-36x90 App-01

REV

SCALE: 1:90

DO NOT SCALE DRAWING

SHEET 1 OF 1