



T50 SERIES

Tangential Granulators

Technical Specifications

The T50 Series Granulators offer strong, versatile, and reliable performance. With a full range of size and design options to choose from, the T50 Series Granulator are the best choice for applications ranging from large injection or blow molded scrap, furniture components and appliance parts. The tangential design offers the capacity to process many types of scrap with improved ingestion at a lower power requirement, while the offset design allows for higher throughput of lower density parts. Energy efficiency paired with heavy-duty design and ease-of-maintenance results in a granulation system with a low total cost of ownership.



T50 Series

Features

EXCEPTIONAL REGRIND QUALITY

- Exclusive TwinShear™ designed rotor provides the highest regrind quality in the market.
- High quality regrind makes it easier to utilize the maximum amount of recycled material in your process.

EASE OF MAINTENANCE & SAFETY

- Electrically operated rotor lock minimizes injury risk and optimizes knife maintenance ergonomics.
- Wide open design provides room for easy clean out and maintenance.

APPLICATION FLEXIBILITY

- Configurations are available for many types of applications and client specific requirements.
- Multiple options available for: Infeeds, rotors, cutting chambers, and evacuation systems

Standard Features

- Throughput from 1,500 lbs/hr to 2,500 lbs/hr (680 kg/hr to 1130 kg/hr)
- Enhanced part ingestion through industry-leading tangential chamber configuration
- Wide infeed section capable of handling oversized pieces
- Open wing rotor design for increased throughput and cutting performance
- Easy access to screen cradles and other access features that promote ease of maintenance
- Offset cutting chamber with simplified access to rotor and knives

Electrical Features

- User friendly 7 inch color touchscreen interface
- Safe 24 volt DC panel powered design.
- Electric actuator used for cutting chamber maintenance access.
- Electrically operated rotor lock can be activated to prevent the rotor from rotating for safer knife changes.
- Solenoid locking safety switches on front chamber and hopper clean out doors.

Typical Applications

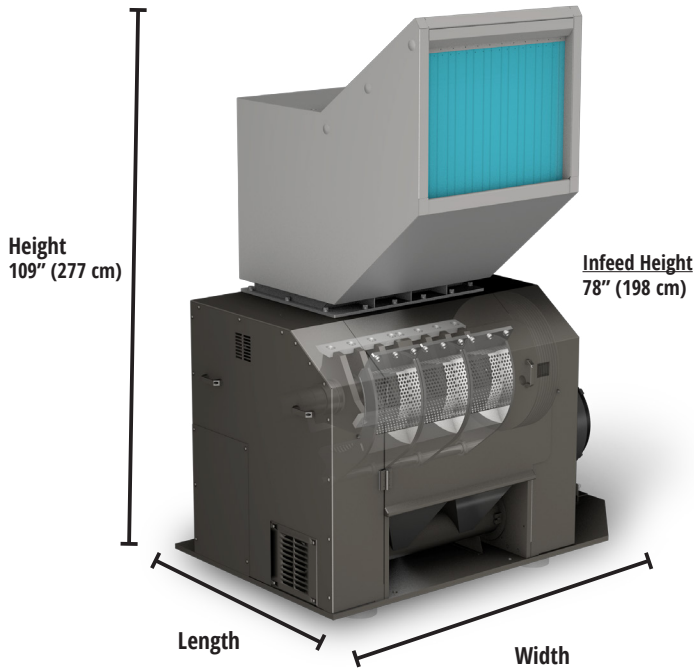
- Injection molded, blow molded, or extruded scrap
- Furniture and appliances
- Film and sheet
- Automotive moldings, ducts, furniture/appliance parts

Optional Features

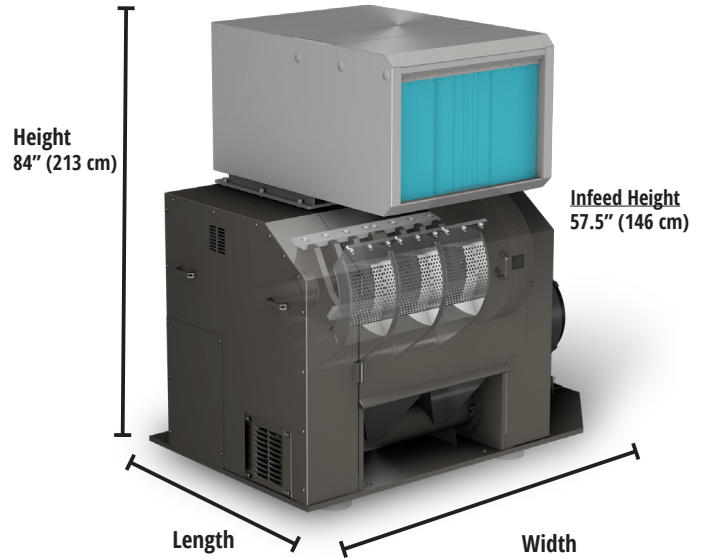
- Abrasion resistance package for high wear applications.
- Water cooled cutting chamber.

Tangential Series

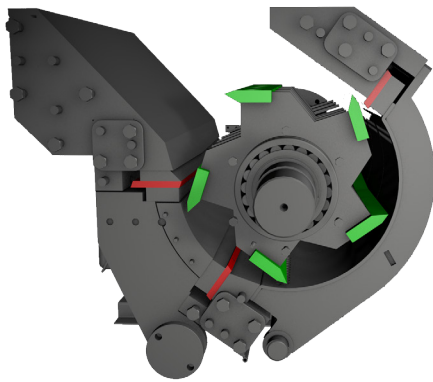
Conveyor Infeed Hopper



Tray Feed Hopper

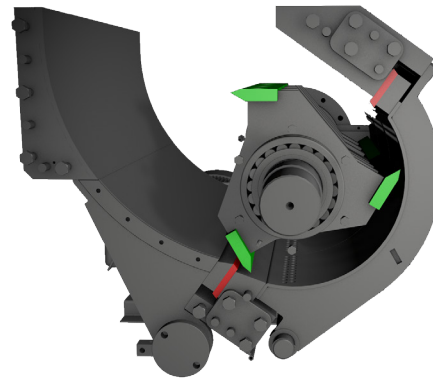


Cutting Chamber Configurations



Offset Cross Section

Offset geometry allows for thicker walled higher density part granulation at higher throughputs by limiting bite size.



Tangential Cross Section

Three blade rotor compliments Tangential geometry and allows for larger parts to be processed through a smaller machine.

Model	Cutting Chamber	Discharge (Right Hand)	Throughput	Motor Options	Dimensions (W x L)	Weight
T-5070	20" x 28" (50.8cm x 71.2cm)	6" Airveyor (152mm)	1500 lbs/hr (680 kg/hr)	50 hp / 75 hp / 100 hp (37kW / 55kW / 75kW)	89" x 65" (226cm x 165cm)	10,000 lbs (4536 kg)
T-5090	20" x 36" (50.8cm x 91.5cm)	8" Airveyor (203mm)	2000 lbs/hr (910 kg/hr)	50 hp / 75 hp / 100 hp (37kW / 55kW / 75kW)	97" x 65" (246cm x 165cm)	12,500 lbs (5670 kg)
T-50120	20" x 48" (50.8cm x 122cm)	10" Airveyor (254mm)	2500 lbs/hr (1140 kg/hr)	75 hp / 100 hp (55kW / 75kW)	109" x 65" (276cm x 165cm)	16,000 lbs (7257 kg)

Motor Options	50 hp (37kW)	75 hp (55kW)	100 hp (75kW)
FLA (460V)	60A	85A	111A