

SHEET	DESCRIPTION	FILE NAME	REV
1	TABLE OF CONTENTS	04790200-00	B
2	MOTOR SCHEMATIC	04790200-01	B
3	CONTROL POWER DISTRIBUTION	04790200-10	B
4	SAFETY SCHEMATIC	04790200-11	B
5	LIGHT CURTAIN SCHEMATIC	04790200-12	B
6	CONTROL SCHEMATIC	04790200-14	B
7	PLC I/O SCHEMATIC	04790200-20	B
8	PLC I/O SCHEMATIC	04790200-21	B
9	MAIN PANEL LAYOUT	04790200-80	B
10	BILL OF MATERIALS	04790200-95	B
11	LEGEND PLATES	04790200-TAG	B

INSTALLATION GUIDELINES

(UNLESS NOTED OTHERWISE BY CUSTOMER SPECIFICATIONS)

- CONTROL PANELS SHALL HAVE LABELS TO WARN QUALIFIED PERSONS OF POTENTIAL ELECTRIC ARC FLASH HAZARDS. THE MARKING SHALL BE LOCATED SO AS TO BE CLEARLY VISIBLE TO QUALIFIED PERSONS BEFORE EXAMINING, ADJUSTING, SERVICING OR MAINTAINING EQUIPMENT.

- NO CONTROL COMPONENTS SHALL BE MOUNTED ON THE SIDES, BOTTOM, OR TOP OF THE CABINET.

- IF 480 VOLT AND CONTROL VOLTAGE (120 VOLT AC OR 24 VOLT DC) ARE IN THE SAME CABINET, THE 480 VOLT AC AND CONTROL VOLTAGE SECTIONS SHALL BE SEPARATED AND GUARDED (USE PLEXIGLAS COVER WHERE COMPONENTS ARE NOT ALREADY FINGER-SAFE).

- BLACK - UNGROUNDED AC AND DC POWER CONDUCTORS.
- RED - UNGROUNDED AC CONTROL CONDUCTORS.
- WHITE - GROUNDED AC CONDUCTORS (CONTROL OR POWER).
- GREEN - EQUIPMENT GROUNDING CONDUCTORS.
- BLUE - UNGROUNDED DC CONTROL CONDUCTORS.
- WHITE W/BUE STRIPE - GROUNDED DC CURRENT-CARRYING CONDUCTORS.
- ORANGE - UNGROUNDED CONDUCTORS THAT REMAIN ENERGIZED WHEN THE MAIN SUPPLY DISCONNECTING MEANS IS IN THE OFF POSITION.

- FOR CONTROL WIRING USING INDIVIDUAL WIRES, USE MINIMUM #16 AWG.
- FOR POWER DISTRIBUTION AND MOTOR LEADS, USE MINIMUM #12 AWG.
- ALL RIGID CONDUIT CONNECTIONS TO ENCLOSURES THAT DO NOT HAVE A THREADED FITTING SHALL BE MADE USING MYERS TYPE STG GROUNDING HUBS OR APPROVED EQUAL. IN POTENTIALLY WET OR CORROSIVE LOCATIONS, LIQUID TIGHT FLEXIBLE CONDUIT (SEALTITE) CONNECTIONS TO ENCLOSURES SHALL INCLUDE AN ARMORED SEALING GASKET (CROUSE-HINDS TYPE SG2 OR EQUIVALENT) BETWEEN FITTING AND ENCLOSURE SURFACE.
- CORDS SHALL HAVE COMPRESSION-TYPE RUBBER CORD GRIPS FOR CONNECTING TO ENCLOSURES OR CONDULETS (LB CONDUIT BODIES).
- CORDS SHALL BE SECURELY FASTENED TO MACHINE STRUCTURE AND PROTECTED BY BUSHINGS AND ATTACHMENT FITTINGS, AS WELL AS ADEQUATE STRAIN RELIEF WHERE EXITING FROM PANELS AND WIREWAYS.
- ALL WIRES SHALL BE CONTINUOUS (NO SPLICES). ALL TERMINATIONS SHALL BE MADE USING TERMINAL BLOCKS OR WAGO 222 SERIES COMPACT CONNECTORS (600V 20A 28-12 AWG).
- THE NUMBER OF WIRES CONNECTED TO A TERMINAL SHALL BE LIMITED TO TWO (2) WIRES.
- CONTROL AND INSTRUMENT WIRING SHALL BE TERMINATED USING RING-TONGUE OR LOCKING-FORK CONNECTORS WHEN PRESSURE TERMINALS ARE NOT AVAILABLE.
- TERMINAL BLOCKS SHALL BE MOUNTED AND WIRED SO THAT INTERNAL AND EXTERNAL WIRING DO NOT CROSS OVER THE TERMINALS. IN GENERAL, ALL TERMINAL STRIPS SHALL HAVE A DESIGNATED "PANEL" SIDE AND A "FIELD" SIDE.
- ALL ELECTRICAL ENCLOSURES SHALL HAVE A GROUNDING CONDUCTOR ATTACHED TO THE DOOR STUD AND WIRED TO THE GROUND TERMINAL IN THE ENCLOSURE.
- ALL ELECTRICAL ENCLOSURES SHALL HAVE THE PAINT OF THE BACK PANEL REMOVED (TO BARE METAL) AT THE GROUND LUG CONNECTION POINT.

MOTOR LOAD LIST (FLA)

NAME	LOCATION	HP	FLA
MOT105A	HYDRAULIC PUMP MOTOR	7.5	9.5
PW1021A	10A 24VDC POWER SUPPLY	240W	0.60
TOTAL ACTUAL LOAD		10.1	
25% OF LARGEST LOAD		2.4	
TOTAL MAX LOAD		12.5	
MAIN FUSE (150% OF MAX LOAD)		20(19)	

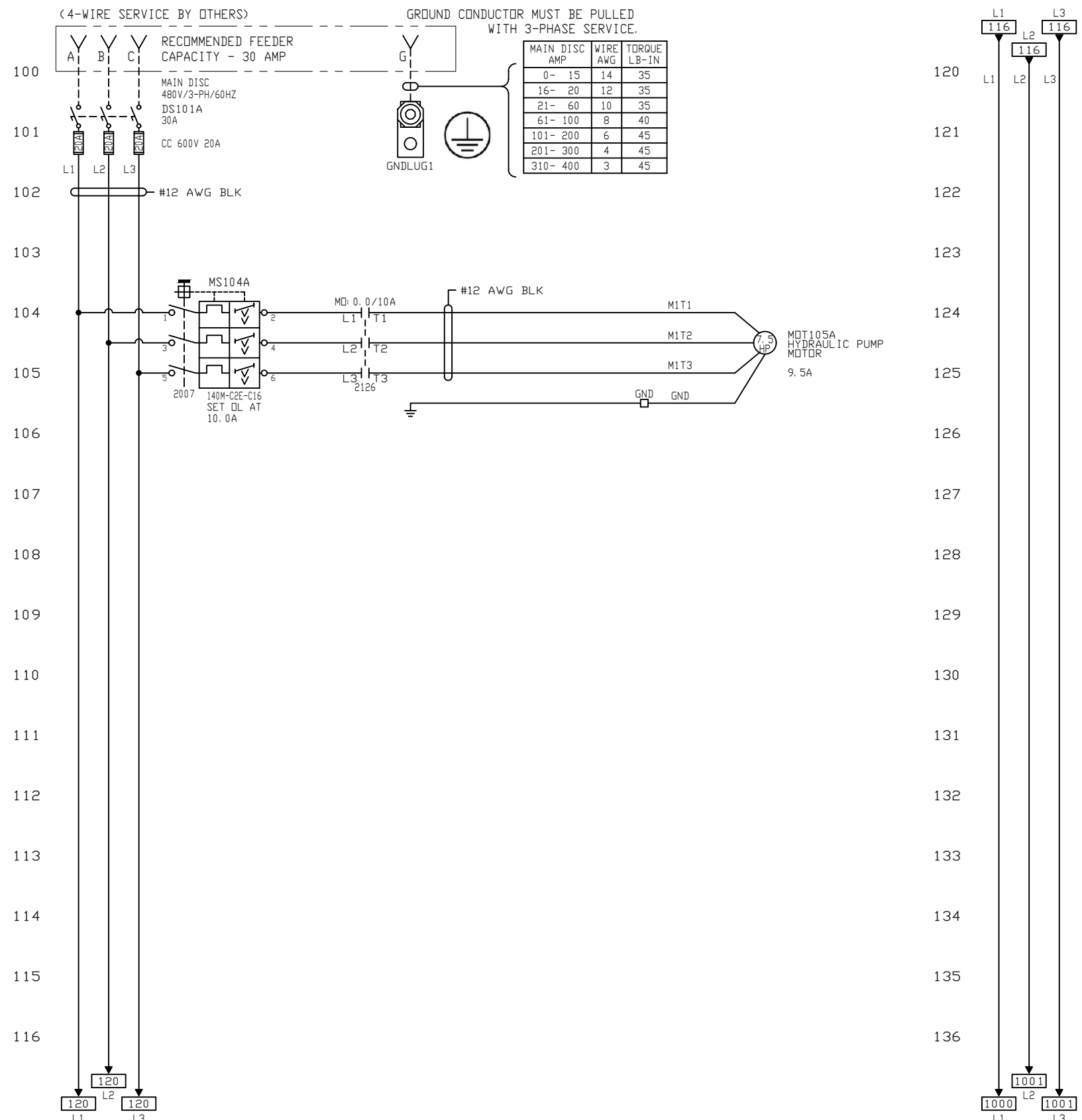
E342034005-06

CREATIVE WERKS, LLC LIFT AND SEAL DISCHARGER J36258-59

24V DC CONTROLS

QUANTITY: 3

AGENCY APPR N/A	SUPPLY VOLTAGE 460V/3PH/60HZ	NEMA TYPE 12				<input type="checkbox"/> WIRING BY NBE <input type="checkbox"/> WIRING BY OTHERS <input type="checkbox"/> MAIN PANEL TERMS <input type="checkbox"/> N/A <input type="checkbox"/> N/A <input type="checkbox"/> N/A <input type="checkbox"/> FUSED TERMINALS	THIS DOCUMENT OR DRAWING CONTAINS PROPRIETARY INFORMATION OR DATA WHICH IS THE PROPERTY OF NATIONAL BULK EQUIPMENT, INC. THIS INFORMATION HAS BEEN DETERMINED TO BE CONFIDENTIAL BY NATIONAL BULK EQUIPMENT, INC., AND SHALL NOT BE REPRODUCED, COPIED, OR USED IN WHOLE OR IN PART FOR THE MANUFACTURE OR SALE OF ANY PART OR PRODUCT BY YOU OR ANY OTHER PARTY TO WHOM THE INFORMATION MAY BE SUPPLIED WITHOUT THE PRIOR WRITTEN CONSENT OF NATIONAL BULK EQUIPMENT, INC.		TABLE OF CONTENTS		
AREA CLASSIFICATION GENERAL INDUSTRIAL		B UPGRADE KIT - HOUSEKEEPING PIN, E652365005 1/16/23 DM A AS BUILT 5/7/20 TLM	ENGINEER PC DRAWN BY TLM	SCALE N/A CHECKED BY SK	CREATIVE WERKS, LLC LIFT AND SEAL DISCHARGER J36258-59 CSD # E342034005-06 DRAWING # 04790200-00 REV B DATE 2/26/20 SHEET 1 OF 11						




AGENCY APPR N/A	SUPPLY VOLTAGE 460V/3PH/60HZ	NEMA TYPE 12
AREA CLASSIFICATION GENERAL INDUSTRIAL		
REV	DESCRIPTION	DATE BY

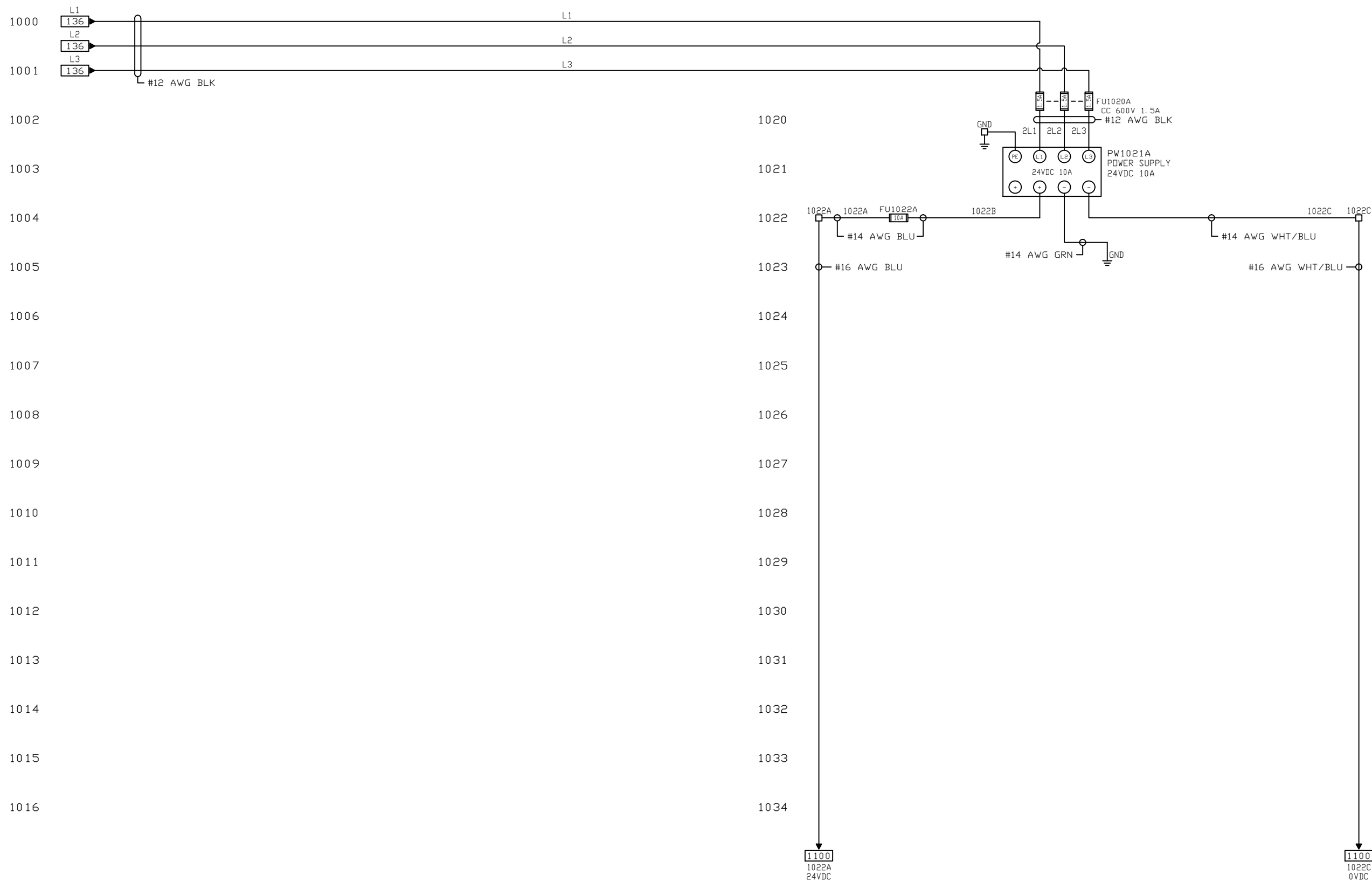
B	UPGRADE KIT - HOUSEKEEPING PIN, E652365005	1/16/23	DM
A	AS BUILT	5/7/20	TLM


—	WIRING BY NBE
- - - -	WIRING BY OTHERS
□	MAIN PANEL TERMS
△	N/A
○	N/A
◇	N/A
○	FUSED TERMINALS

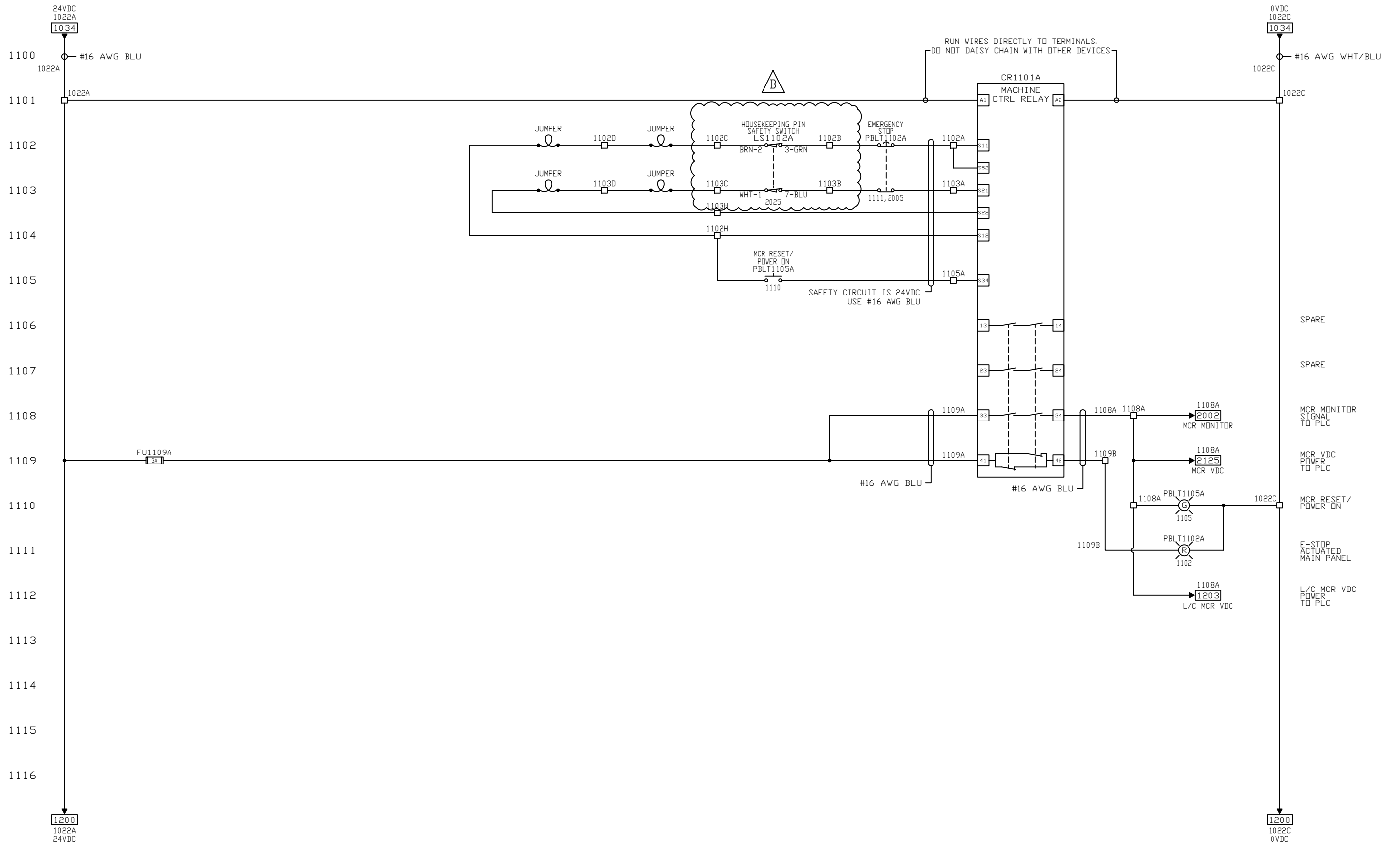
THIS DOCUMENT OR DRAWING CONTAINS PROPRIETARY INFORMATION OR DATA WHICH IS THE PROPERTY OF NATIONAL BULK EQUIPMENT, INC. THIS INFORMATION HAS BEEN DETERMINED TO BE CONFIDENTIAL BY NATIONAL BULK EQUIPMENT, INC., AND SHALL NOT BE REPRODUCED, COPIED, OR USED IN WHOLE OR IN PART FOR THE MANUFACTURE OR SALE OF ANY PART OR PRODUCT BY YOU OR ANY OTHER PARTY TO WHOM THE INFORMATION MAY BE SUPPLIED WITHOUT THE PRIOR WRITTEN CONSENT OF NATIONAL BULK EQUIPMENT, INC.

	
ENGINEER PC	SCALE N/A
DRAWN BY TLM	CHECKED BY SK

MOTOR SCHEMATIC		
CREATIVE WERKS, LLC LIFT AND SEAL DISCHARGER J36258-59		
CSD # E342034005-06	DRAWING # 04790200-01	REV B
DATE 2/26/20	SHEET 2 OF 11	



AGENCY APPR N/A	SUPPLY VOLTAGE 460V/3PH/60HZ	NEMA TYPE 12					WIRING BY NBE ----- WIRING BY OTHERS - - - - - <input type="checkbox"/> MAIN PANEL TERMS <input type="checkbox"/> N/A <input type="checkbox"/> N/A <input type="checkbox"/> N/A <input type="checkbox"/> FUSED TERMINALS	THIS DOCUMENT OR DRAWING CONTAINS PROPRIETARY INFORMATION OR DATA WHICH IS THE PROPERTY OF NATIONAL BULK EQUIPMENT, INC. THIS INFORMATION HAS BEEN DETERMINED TO BE CONFIDENTIAL BY NATIONAL BULK EQUIPMENT, INC., AND SHALL NOT BE REPRODUCED, COPIED, OR USED IN WHOLE OR IN PART FOR THE MANUFACTURE OR SALE OF ANY PART OR PRODUCT BY YOU OR ANY OTHER PARTY TO WHOM THE INFORMATION MAY BE SUPPLIED WITHOUT THE PRIOR WRITTEN CONSENT OF NATIONAL BULK EQUIPMENT, INC.	 NATIONAL BULK EQUIPMENT AN NBE COMPANY	CONTROL POWER DISTRIBUTION		
AREA CLASSIFICATION GENERAL INDUSTRIAL			B UPGRADE KIT - HOUSEKEEPING PIN, E652365005 A AS BUILT	1/16/23 DM 5/7/20 TLM	CREATIVE WERKS, LLC LIFT AND SEAL DISCHARGER J36258-59							
			REV	DESCRIPTION	DATE	BY			ENGINEER PC	SCALE N/A	CSD # E342034005-06	DRAWING # 04790200-10
							DRAWN BY TLM	CHECKED BY SK	DATE 2/26/20	SHEET 3 OF 11		

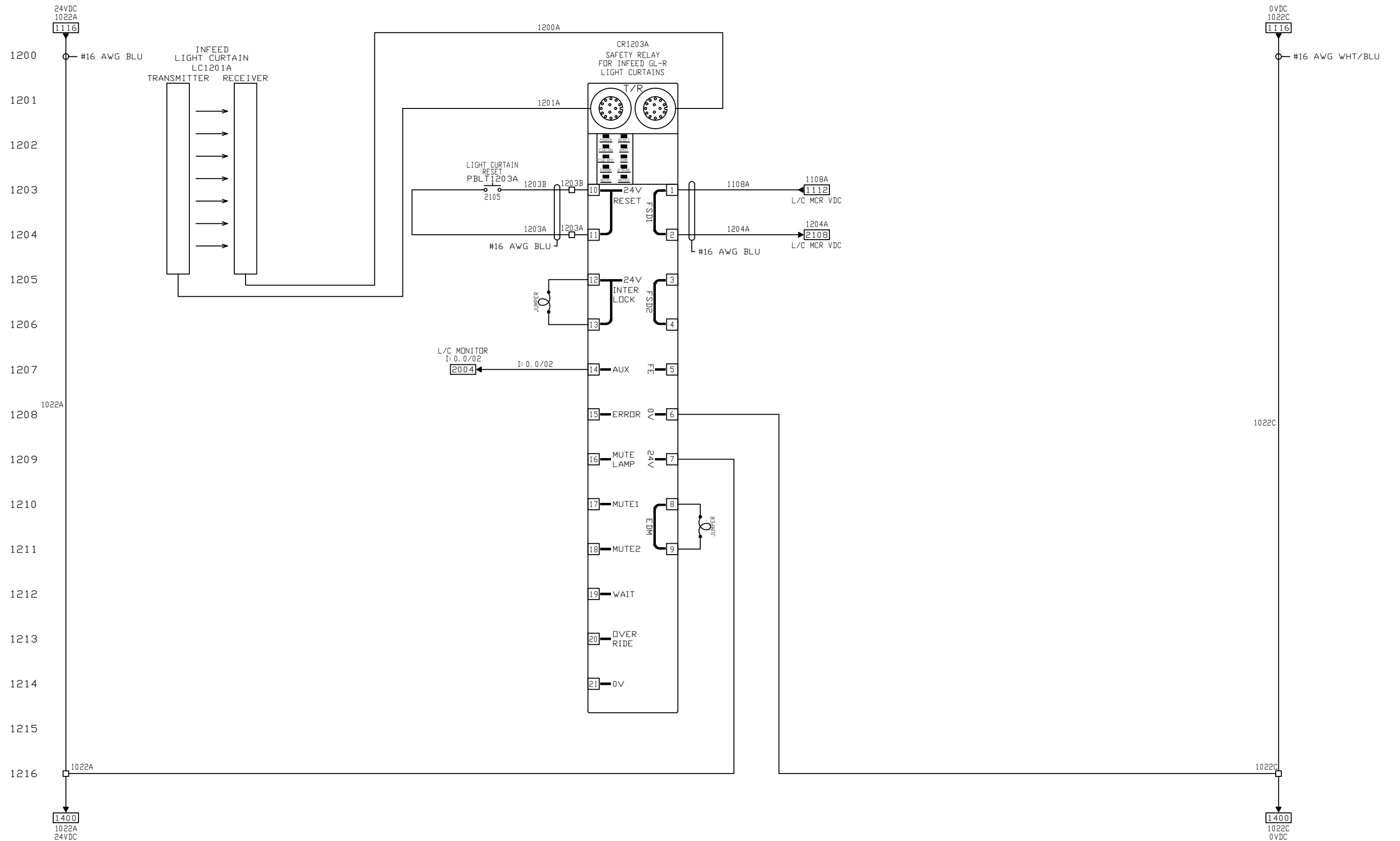


RUN WIRES DIRECTLY TO TERMINALS.
DO NOT DAISY CHAIN WITH OTHER DEVICES



SAFETY CIRCUIT IS 24VDC
USE #16 AWG BLU

AGENCY APPR N/A	SUPPLY VOLTAGE 460V/3PH/60HZ	NEMA TYPE 12						<p>— WIRING BY NBE - - - WIRING BY OTHERS</p> <p>□ MAIN PANEL TERMS △ N/A ○ N/A ◇ N/A ⊙ FUSED TERMINALS</p>	<p>THIS DOCUMENT OR DRAWING CONTAINS PROPRIETARY INFORMATION OR DATA WHICH IS THE PROPERTY OF NATIONAL BULK EQUIPMENT, INC. THIS INFORMATION HAS BEEN DETERMINED TO BE CONFIDENTIAL BY NATIONAL BULK EQUIPMENT, INC., AND SHALL NOT BE REPRODUCED, COPIED, OR USED IN WHOLE OR IN PART FOR THE MANUFACTURE OR SALE OF ANY PART OR PRODUCT BY YOU OR ANY OTHER PARTY TO WHOM THE INFORMATION MAY BE SUPPLIED WITHOUT THE PRIOR WRITTEN CONSENT OF NATIONAL BULK EQUIPMENT, INC.</p>	<p>NATIONAL BULK EQUIPMENT AN INBE COMPANY</p>	SAFETY SCHEMATIC																		
AREA CLASSIFICATION GENERAL INDUSTRIAL			<table border="1"> <tr> <th>REV</th> <th>DESCRIPTION</th> <th>DATE</th> <th>BY</th> </tr> <tr> <td>B</td> <td>UPGRADE KIT - HOUSEKEEPING PIN, E652365005</td> <td>1/16/23</td> <td>DM</td> </tr> <tr> <td>A</td> <td>AS BUILT</td> <td>5/7/20</td> <td>TLM</td> </tr> </table>	REV	DESCRIPTION	DATE	BY	B			UPGRADE KIT - HOUSEKEEPING PIN, E652365005	1/16/23	DM	A	AS BUILT	5/7/20	TLM	<table border="1"> <tr> <th>ENGINEER</th> <th>SCALE</th> </tr> <tr> <td>PC</td> <td>N/A</td> </tr> <tr> <th>DRAWN BY</th> <th>CHECKED BY</th> </tr> <tr> <td>TLM</td> <td>SK</td> </tr> </table>	ENGINEER	SCALE	PC	N/A	DRAWN BY	CHECKED BY	TLM	SK	<p>CREATIVE WERKS, LLC LIFT AND SEAL DISCHARGER J36258-59</p>	CSD # E342034005-06	DRAWING # 04790200-11
REV	DESCRIPTION	DATE	BY																										
B	UPGRADE KIT - HOUSEKEEPING PIN, E652365005	1/16/23	DM																										
A	AS BUILT	5/7/20	TLM																										
ENGINEER	SCALE																												
PC	N/A																												
DRAWN BY	CHECKED BY																												
TLM	SK																												
						DATE 2/26/20		SHEET 4 OF 11																					



AGENCY APPR N/A	SUPPLY VOLTAGE 460V/3PH/60HZ	NEMA TYPE 12
AREA CLASSIFICATION GENERAL INDUSTRIAL		

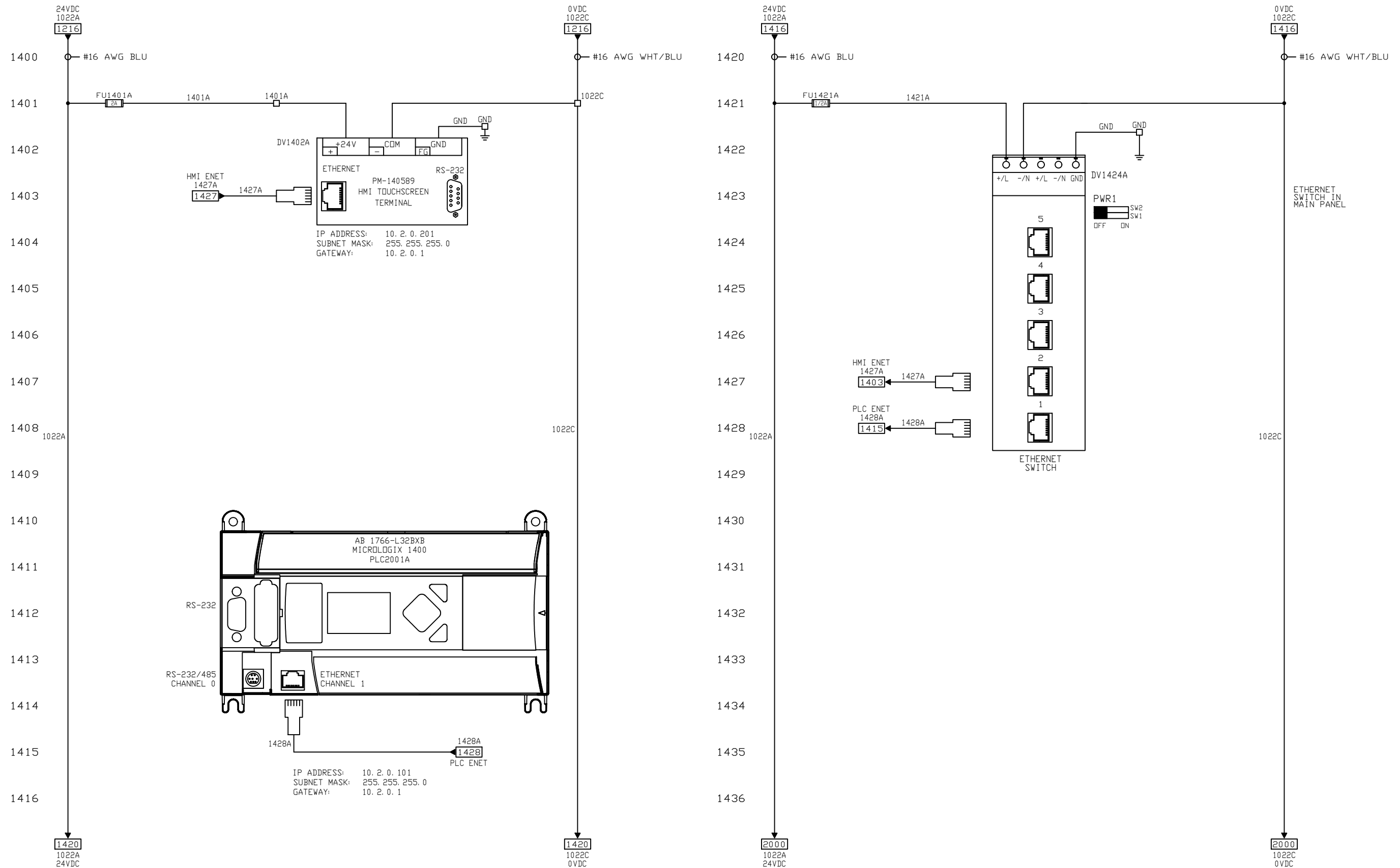
REV	DESCRIPTION	DATE	BY
B	UPGRADE KIT - HOUSEKEEPING PIN, E652365005	1/16/23	DM
A	AS BUILT	5/7/20	TLM

—	WIRING BY NBE
- - -	WIRING BY OTHERS
□	MAIN PANEL TERMS
△	N/A
○	N/A
◇	N/A
⊙	FUSED TERMINALS

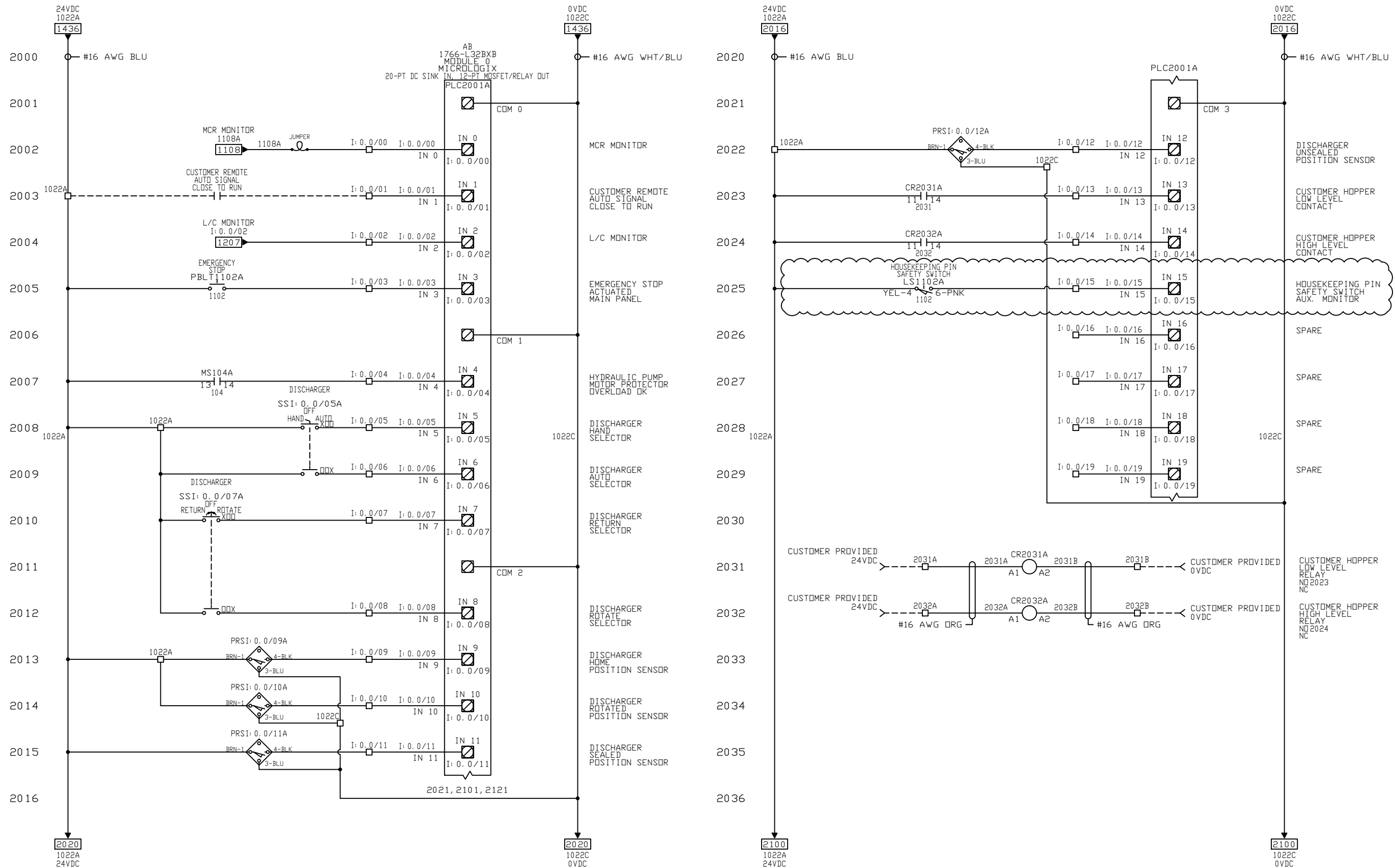
THIS DOCUMENT OR DRAWING CONTAINS PROPRIETARY INFORMATION OR DATA WHICH IS THE PROPERTY OF NATIONAL BULK EQUIPMENT, INC. THIS INFORMATION HAS BEEN DETERMINED TO BE CONFIDENTIAL BY NATIONAL BULK EQUIPMENT, INC., AND SHALL NOT BE REPRODUCED, COPIED, OR USED IN WHOLE OR IN PART FOR THE MANUFACTURE OR SALE OF ANY PART OR PRODUCT BY YOU OR ANY OTHER PARTY TO WHOM THE INFORMATION MAY BE SUPPLIED WITHOUT THE PRIOR WRITTEN CONSENT OF NATIONAL BULK EQUIPMENT, INC.

ENGINEER PC	SCALE N/A
DRAWN BY TLM	CHECKED BY SK

LIGHT CURTAIN SCHEMATIC		
CREATIVE WERKS, LLC LIFT AND SEAL DISCHARGER J36258-59		
CSD # E342034005-06	DRAWING # 04790200-12	REV B
DATE 2/26/20	SHEET 5 OF 11	



AGENCY APPR N/A	SUPPLY VOLTAGE 460V/3PH/60HZ	NEMA TYPE 12			WIRING BY NBE WIRING BY OTHERS □ MAIN PANEL TERMS △ N/A ○ N/A ◇ N/A ○ FUSED TERMINALS	THIS DOCUMENT OR DRAWING CONTAINS PROPRIETARY INFORMATION OR DATA WHICH IS THE PROPERTY OF NATIONAL BULK EQUIPMENT, INC. THIS INFORMATION HAS BEEN DETERMINED TO BE CONFIDENTIAL BY NATIONAL BULK EQUIPMENT, INC., AND SHALL NOT BE REPRODUCED, COPIED, OR USED IN WHOLE OR IN PART FOR THE MANUFACTURE OR SALE OF ANY PART OR PRODUCT BY YOU OR ANY OTHER PARTY TO WHOM THE INFORMATION MAY BE SUPPLIED WITHOUT THE PRIOR WRITTEN CONSENT OF NATIONAL BULK EQUIPMENT, INC.	NATIONAL BULK EQUIPMENT AN INBE COMPANY			CONTROL SCHEMATIC		
AREA CLASSIFICATION GENERAL INDUSTRIAL			B UPGRADE KIT - HOUSEKEEPING PIN, E652365005 A AS BUILT	1/16/23 DM 5/7/20 TLM	ENGINEER PC DRAWN BY TLM		SCALE N/A CHECKED BY SK	CREATIVE WERKS, LLC LIFT AND SEAL DISCHARGER J36258-59				
REV		DESCRIPTION	DATE	BY	CSD # E342034005-06 DRAWING # 04790200-14 DATE 2/26/20 SHEET 6 OF 11		REV B					



AGENCY APPR N/A	SUPPLY VOLTAGE 460V/3PH/60HZ	NEMA TYPE 12
AREA CLASSIFICATION GENERAL INDUSTRIAL		

REV	DESCRIPTION	DATE	BY
B	UPGRADE KIT - HOUSEKEEPING PIN, E652365005	1/16/23	DM
A	AS BUILT	5/7/20	TLM

—	WIRING BY NBE
---	WIRING BY OTHERS
□	MAIN PANEL TERMS
△	N/A
○	N/A
◇	N/A
⊙	FUSED TERMINALS

THIS DOCUMENT OR DRAWING CONTAINS PROPRIETARY INFORMATION OR DATA WHICH IS THE PROPERTY OF NATIONAL BULK EQUIPMENT, INC. THIS INFORMATION HAS BEEN DETERMINED TO BE CONFIDENTIAL BY NATIONAL BULK EQUIPMENT, INC., AND SHALL NOT BE REPRODUCED, COPIED, OR USED IN WHOLE OR IN PART FOR THE MANUFACTURE OR SALE OF ANY PART OR PRODUCT BY YOU OR ANY OTHER PARTY TO WHOM THE INFORMATION MAY BE SUPPLIED WITHOUT THE PRIOR WRITTEN CONSENT OF NATIONAL BULK EQUIPMENT, INC.

NATIONAL BULK EQUIPMENT
AN NBE COMPANY

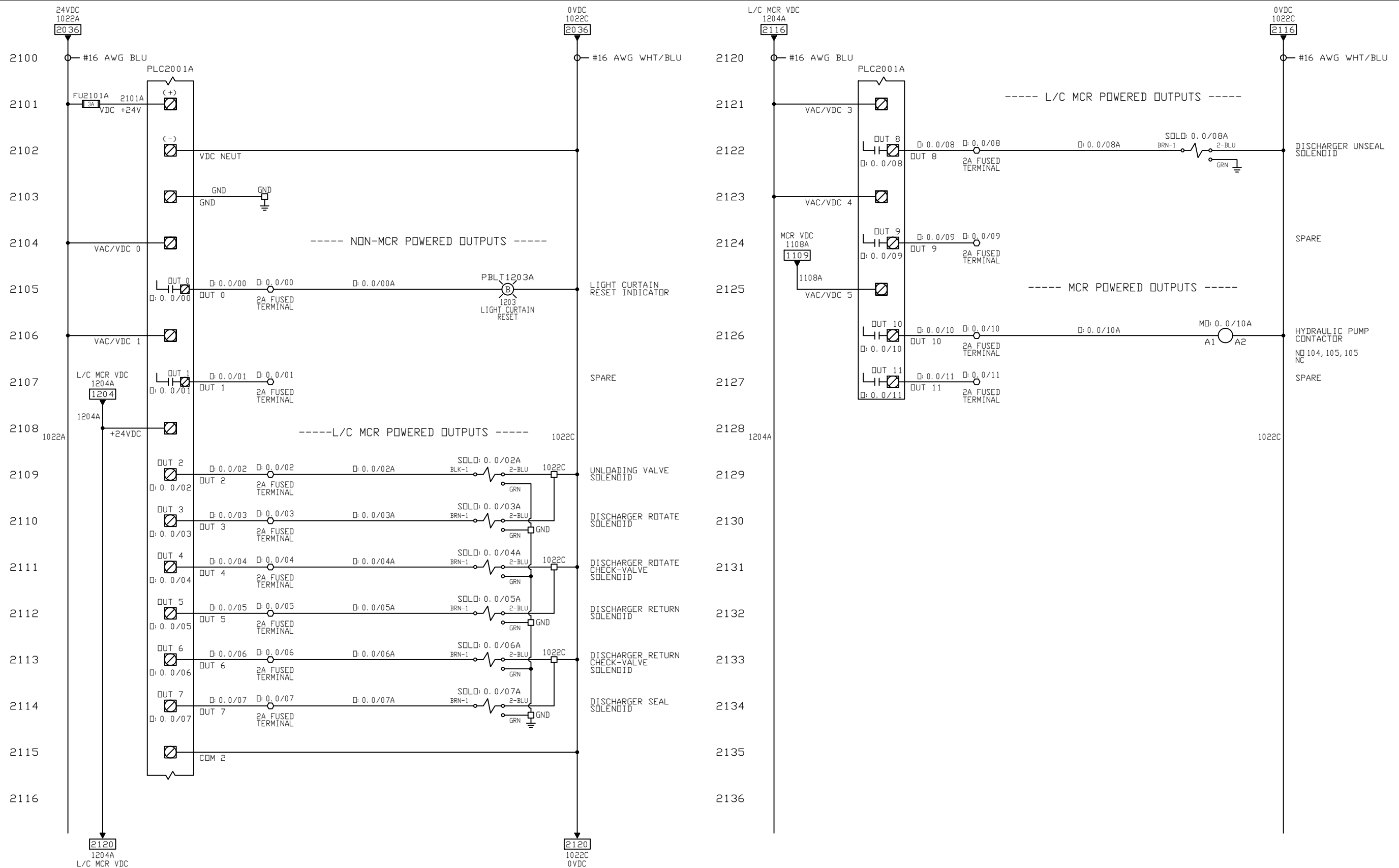
ENGINEER
PC

DRAWN BY
TLM

SCALE
N/A

CHECKED BY
SK

PLC I/O SCHEMATIC		
CREATIVE WERKS, LLC LIFT AND SEAL DISCHARGER J36258-59		
CSD # E342034005-06	DRAWING # 04790200-20	REV B
DATE 2/26/20	SHEET 7 OF 11	



AGENCY APPR N/A	SUPPLY VOLTAGE 460V/3PH/60HZ	NEMA TYPE 12
AREA CLASSIFICATION GENERAL INDUSTRIAL		

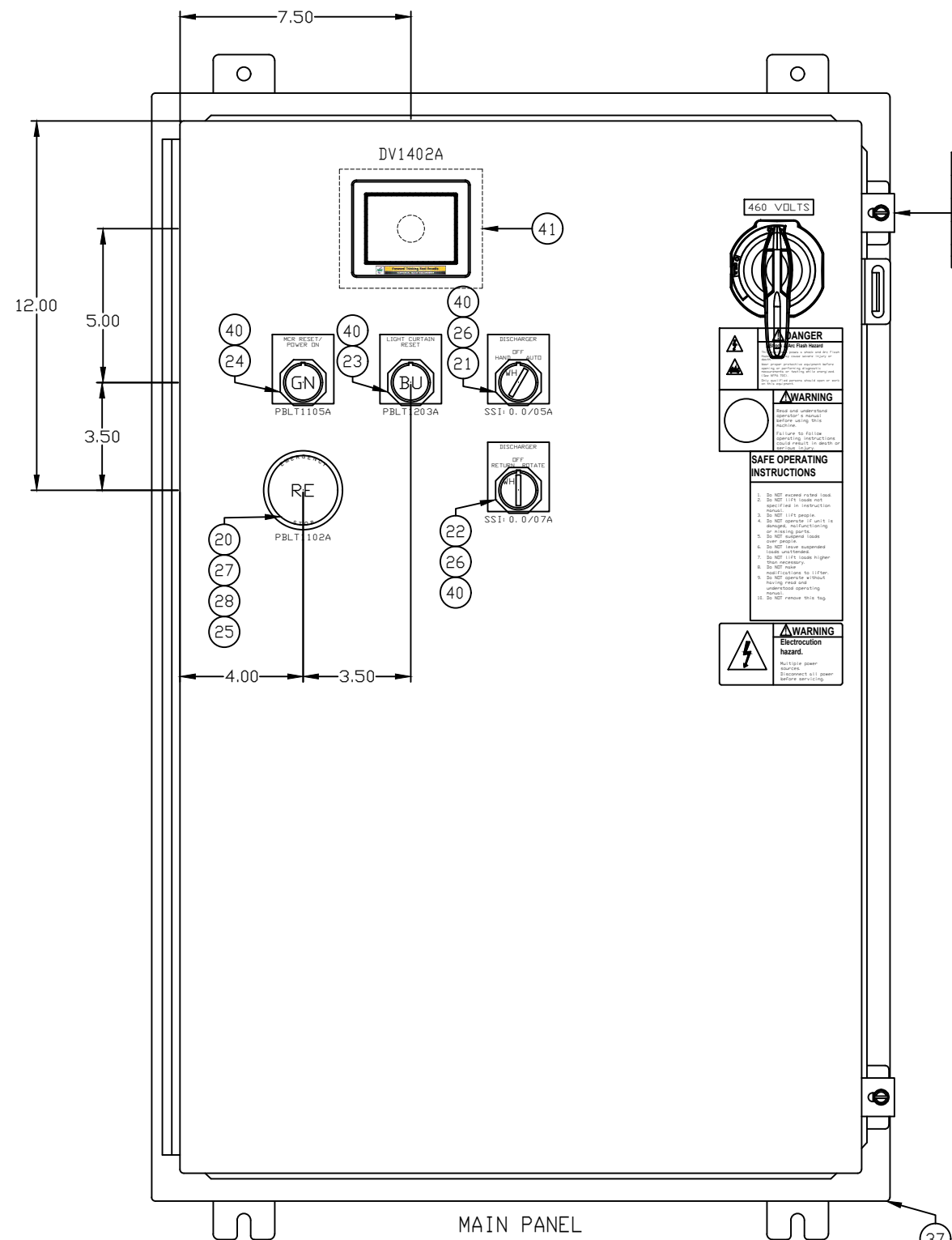
REV	DESCRIPTION	DATE	BY
B	UPGRADE KIT - HOUSEKEEPING PIN, E652365005	1/16/23	DM
A	AS BUILT	5/7/20	TLM

—	WIRING BY NBE
- - - -	WIRING BY OTHERS
□	MAIN PANEL TERMS
△	N/A
○	N/A
◇	N/A
⊗	FUSED TERMINALS

THIS DOCUMENT OR DRAWING CONTAINS PROPRIETARY INFORMATION OR DATA WHICH IS THE PROPERTY OF NATIONAL BULK EQUIPMENT, INC. THIS INFORMATION HAS BEEN DETERMINED TO BE CONFIDENTIAL BY NATIONAL BULK EQUIPMENT, INC., AND SHALL NOT BE REPRODUCED, COPIED, OR USED IN WHOLE OR IN PART FOR THE MANUFACTURE OR SALE OF ANY PART OR PRODUCT BY YOU OR ANY OTHER PARTY TO WHOM THE INFORMATION MAY BE SUPPLIED WITHOUT THE PRIOR WRITTEN CONSENT OF NATIONAL BULK EQUIPMENT, INC.

NATIONAL BULK EQUIPMENT AN INBE COMPANY	
ENGINEER PC	SCALE N/A
DRAWN BY TLM	CHECKED BY SK

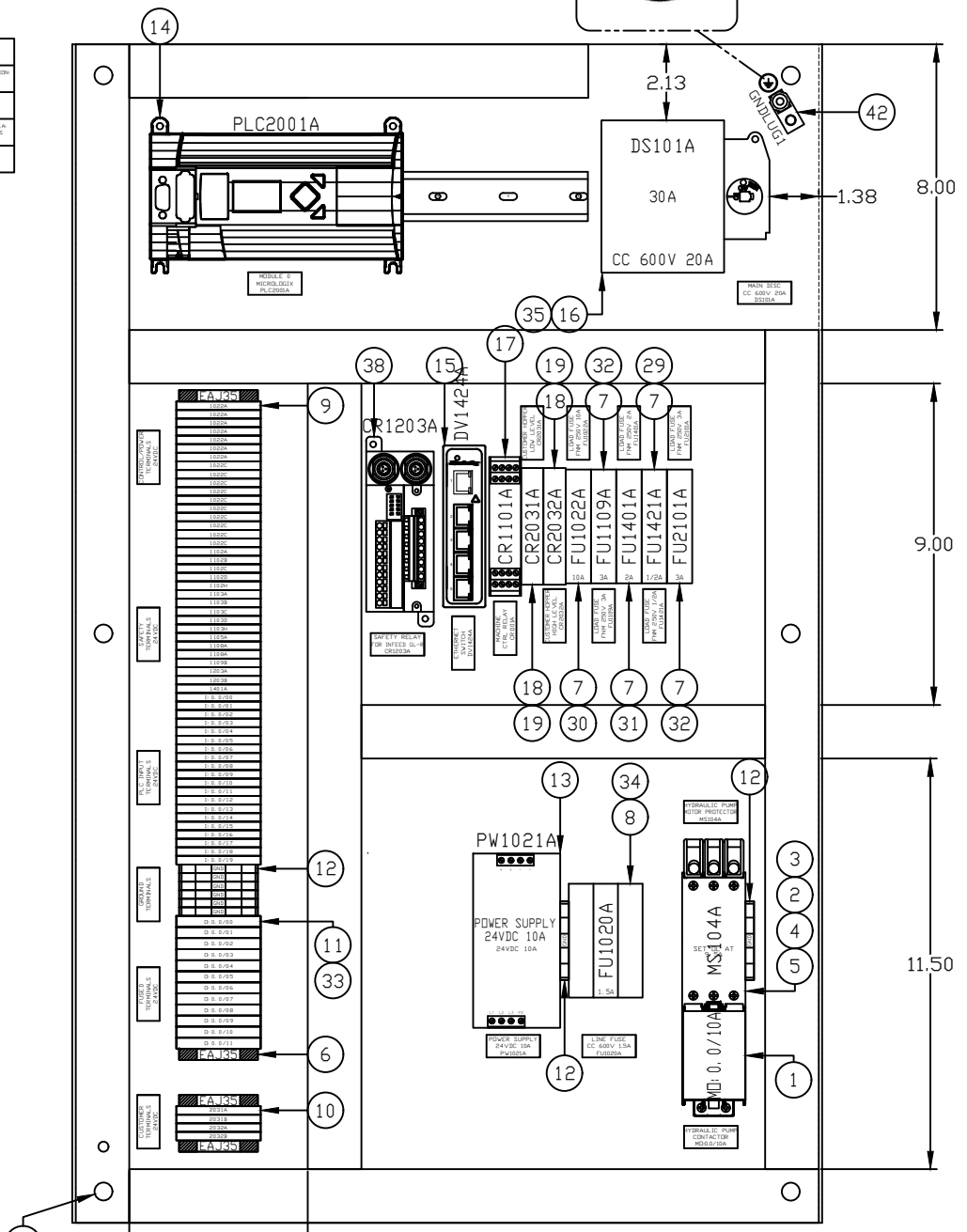
PLC I/O SCHEMATIC		
CREATIVE WERKS, LLC LIFT AND SEAL DISCHARGER J36258-59		
CSD # E342034005-06	DRAWING # 04790200-21	REV B
DATE 2/26/20	SHEET 8	OF 11



MAIN PANEL
92014378
36 X 24 X 8
A362408LP

39

NATIONAL BULK EQUIPMENT, INC. 3333 SULLY DRIVE MILWAUKEE, WI 53224		
PROJECT #	PANEL ID	PRESCRIPTION
E342034005-06	J36000-08	N/A
NEMA TYPE	SUITABLE FOR ENVIRONMENT	GENERAL INDUSTRY
12	INDUSTRIAL	
VOLTAJE (PHASE) (V)	LARGEST LOAD	TOTAL FLA
460V/3PH/60HZ	30A	80 AMP
TEMP CODE	WIRE CIRCUT CURRENT	WIRE SIZE
14	30.000 AMP 600V 60HZ	12 AWG
MODEL #	REV	
A362408LP	01	



BACK PANEL
92014136
33 X 21
A36P24G

PANEL BUILD NOTE:
APPLY STICKER FURNISHED WITH
GROUNDING LUG DESIGNATING
PROTECTIVE EARTH (GROUND)



MAIN T24	
Number	Catalog
1022A	1492-J4-B
1022A	
1022A	
1022A	
1022A	
1022A	
1022A	
1022C	
1022C	
1022C	
1022C	
1022C	
1022C	
1022C	
1022C	
1022C	
1022C	
1102A	
1102B	
1102C	
1102D	
1102H	
1103A	
1103B	
1103C	
1103D	
1103H	
1105A	
1108A	
1108A	
1109B	
1203A	
1203B	
1401A	
I:0.0/00	
I:0.0/01	
I:0.0/02	
I:0.0/03	
I:0.0/04	
I:0.0/05	
I:0.0/06	
I:0.0/07	
I:0.0/08	
I:0.0/09	
I:0.0/10	
I:0.0/11	
I:0.0/12	
I:0.0/13	
I:0.0/14	
I:0.0/15	
I:0.0/16	
I:0.0/17	
I:0.0/18	
I:0.0/19	
GND	1492-JG4
GND	
GND	

MAIN T24	
Number	Catalog
GND	1492-JG4
GND	
GND	
Q:0.0/00	1492-J6FB224
Q:0.0/01	
Q:0.0/02	
Q:0.0/03	
Q:0.0/04	
Q:0.0/05	
Q:0.0/06	
Q:0.0/07	
Q:0.0/08	
Q:0.0/09	
Q:0.0/10	
Q:0.0/11	

CUSTOMER TERMS T24	
Number	Catalog
2031A	1492-J4-DR
2031B	
2032A	
2032B	

AGENCY APPR N/A	SUPPLY VOLTAGE 460V/3PH/60HZ	NEMA TYPE 12
AREA CLASSIFICATION GENERAL INDUSTRIAL		
REV	DESCRIPTION	DATE BY
B	UPGRADE KIT - HOUSEKEEPING PIN, E652365005	1/16/23 DM
A	AS BUILT	5/7/20 TLM

—	WIRING BY NBE
- - -	WIRING BY OTHERS
□	MAIN PANEL TERMS
△	N/A
○	N/A
◇	N/A
○	FUSED TERMINALS
○	TERMINAL BLOCK LEGEND

THIS DOCUMENT OR DRAWING CONTAINS PROPRIETARY INFORMATION OR DATA WHICH IS THE PROPERTY OF NATIONAL BULK EQUIPMENT, INC. THIS INFORMATION HAS BEEN DETERMINED TO BE CONFIDENTIAL BY NATIONAL BULK EQUIPMENT, INC., AND SHALL NOT BE REPRODUCED, COPIED, OR USED IN WHOLE OR IN PART FOR THE MANUFACTURE OR SALE OF ANY PART OR PRODUCT BY YOU OR ANY OTHER PARTY TO WHOM THE INFORMATION MAY BE SUPPLIED WITHOUT THE PRIOR WRITTEN CONSENT OF NATIONAL BULK EQUIPMENT, INC.

ENGINEER PC	SCALE N/A
DRAWN BY TLM	CHECKED BY SK

MAIN PANEL LAYOUT		
CREATIVE WERKS, LLC LIFT AND SEAL DISCHARGER J36258-59		
CSD # E342034005-06	DRAWING # 04790200-80	REV B
DATE 2/26/20	SHEET 9 OF 11	

ITEMS	TAGS	QTY	NBE #	CATALOG	DESCRIPTION	MFG
1	MD-0.0/10A	1	92028372	100-C12UEJ10	IEC CONTACTOR, DC 3 POWER POLES	AB
2	MS104A	1	92019299	140M-C-AFA10	CONTACT BLOCK, AUX FRONT MOUNT, 1ND	AB
3	MS104A	1	92019288	140M-C-PEC23	CONNECTING MODULE, 140M-C TO 100-C09-C23 CONTACTOR	AB
4	MS104A	1	92019501	140M-C-TE1	SPACING ADAPTER	AB
5	MS104A	1	92019215	140M-C2E-C16	MOTOR CIRCUIT PROTECTOR, 10.0-16.0A, 10HP	AB
6	END ANCHDR	4	92017027	1492-EAJ35	TERMINAL STRIP END ANCHDR	AB
7	FU1022A FU1109A FU1401A FU1421A FU2101A	5	92010096	1492-FB1M30-D1	1 POLE FUSE BLOCK - CLASS MIDGET	AB
8	FU1020A	1	92010085	1492-FB3C30-L	3 POLE FUSE BLOCK - CLASS CC	AB
9	T24	54	92017343	1492-J4-B	TERMINAL BLOCK - BLUE	AB
10	T24	4	92017467	1492-J4-OR	TERMINAL BLOCK - ORANGE	AB
11	T24	12	92017746	1492-J6FB224	1 POLE FUSE BLOCK-5mm x 20mm FUSES	AB
12	T24 T460	8	92017429	1492-JG4	SCREW CONNECTION TERMINAL FEED-THROUGH GROUND BLOCK	AB
13	PW1021A	1	92039910	1606-XLE240E-3	24VDC POWER SUPPLY	AB
14	PLC2001A	1	92039605	1766-L32BXB	1766 MICRO LOGIX 1400 CONTROLLER	AB
15	DV1424A	1	920391049	1783-US5T	ETHERNET SWITCH, UNMANAGED, 5-PORT COPPER, STRATIX 2000	AB
16	DS101A	1	92026025	194R-C30-1753-PYN2	DISCONNECT SWITCH, FUSED	AB
17	CR1101A	1	92028256	440R-N23132	SAFETY RELAY - MSR127RTP - 24VDC	AB
18	CR2031A CR2032A	2	92028374	700-HK32Z24-4	RELAY - TYPE HK GENERAL PURPOSE, DPDT 24VDC, PILOT LT	AB
19	CR2031A CR2032A	2	92028373	700-HN222	RELAY - SOCKET 8A CONTACT RATING	AB
20	PBLT1102A	1	92012492	800T-FXQH2R	PUSH-PULL BUTTON, ILL, 12-130V AC/DC LED, W/D CONTACTS	AB
21	SSI: 0.0/05A	1	92001139	800T-J2	SELECTOR SW - 3 POS MAINT, NEMA 4/13	AB
22	SSI: 0.0/07A	1	92001221	800T-J91	SELECTOR SW - 3 POS SPRG RTRN FRM BOTH, NEMA 4/13	AB
23	PBLT1203A	1	92012441	800T-QBH2B	PUSH BUTTON, ILL, MDM, 12-130V AC/DC LED BLU, NEMA 4/13	AB
24	PBLT1105A	1	92012359	800T-QBH2G	PUSH BUTTON, ILL, MDM, 12-130V AC/DC LED GRN, NEMA 4/13	AB
25	PBLT1102A	1	92013191	800T-X646EM	EMERGENCY STOP LEGEND PLATE	AB
26	SSI: 0.0/05A SSI: 0.0/07A	2	92018023	800T-XA	NO-NC CONTACT BLOCK	AB
27	PBLT1102A	1	92018064	800T-XA1	NO-NCLB CONTACT BLOCK	AB
28	PBLT1102A	1	92018148	800T-XD4	NCLB CONTACT BLOCK	AB
29	FU1421A	1	92019091	FNM-1/2	FUSE - STD	BUSSMANN
30	FU1022A	1	92019192	FNM-10	FUSE - STD	BUSSMANN
31	FU1401A	1	92019093	FNM-2	FUSE - STD	BUSSMANN
32	FU1109A FU2101A	2	92019103	FNM-3	FUSE - STD	BUSSMANN
33	T24	12	92019480	GMD-2-R	FUSE - IEC GLASS	BUSSMANN
34	FU1020A	3	92019238	LP-CC-1-1/2	FUSE - CLASS CC	BUSSMANN
35	DS101A	3	92019165	LP-CC-20	FUSE - CLASS CC	BUSSMANN
36	BACK PANEL	1	92014136	A-36P24G	BACK PANEL	HOFFMAN
37	MAIN PANEL	1	92014378	A362408LP	SINGLE DOOR TYPE 12, 13 ENCLOSURE	HOFFMAN
38	CR1203A	1	92034688	GL-T11R	SAFETY LIGHT CURTAIN RELAY, SAFETY RELAY TERMINAL	KEYENCE
39	DATA	2	92044016	SP-LEGEND-DAT	LEGEND PLATE - CUSTOM	NBE
40	PBLT1105A PBLT1203A SSI: 0.0/05A SSI: 0.0/07A	4	92044017	SP-LEGEND-PB5	LEGEND PLATE - CUSTOM	NBE
41	DV1402A	1	920391065	PM-140589	3.5" TFT COLOR LCD, NBE LOGO	PRD-FACE
42	GMD-2-R	1	92017025	L76	LOG, 1X76-140 LUNE SCREW COPPER, 1/4" AVG	T&R
43	LS1102A	1	92033150	2TLA050074R2100	SAFETY SWITCH, NON-CONTACT, SENSE 6	ABB
44	LS1102A	1	92034408	E12167	CORDSET, 8-PIN M12 STRAIGHT, SINGLE ENDED 10M, BLK	IFM EFECTOR
45	PRSI: 0.0/09A PRSI: 0.0/10A PRSI: 0.0/11A PRSI: 0.0/12A	4	92034412	EVC108	CORDSET, 4-PIN M12 STRAIGHT, SINGLE ENDED 10M, BLK	IFM EFECTOR
46	PRSI: 0.0/09A PRSI: 0.0/10A PRSI: 0.0/11A PRSI: 0.0/12A	4	92034416	EVC108	CORDSET, 4-PIN M12 STRAIGHT, DOUBLE ENDED 10M, BLK	IFM EFECTOR
47	PRSI: 0.0/09A PRSI: 0.0/10A PRSI: 0.0/11A PRSI: 0.0/12A	4	92034473	IGS205	INDUCTIVE SENSOR, M12 QD, 12MM SENSING	IFM EFECTOR
48	LC1201A	1	92034686	GL-R60H	SAFETY LIGHT CURTAINS, HAND-PROTECTION TYPE, 60 OPTICAL AXES, 1225MM PROTECTION HEIGHT	KEYENCE
49	LC1201A	2	92034687	GL-RB01	ADJUSTABLE MOUNTING BRACKETS FOR GL-R LIGHT CURTAINS	KEYENCE
50	LC1201A	1	92034689	GL-RPT10PM	10M SAFETY LIGHT CURTAIN (T&R) CABLES	KEYENCE



BILL OF MATERIAL FOR 1 MACHINE
QUANTITY REQUIRED: 3

AGENCY APPR N/A	SUPPLY VOLTAGE 460V/3PH/60HZ	NEMA TYPE 12				WIRING BY NBE ----- WIRING BY OTHERS -----	THIS DOCUMENT OR DRAWING CONTAINS PROPRIETARY INFORMATION OR DATA WHICH IS THE PROPERTY OF NATIONAL BULK EQUIPMENT, INC. THIS INFORMATION HAS BEEN DETERMINED TO BE CONFIDENTIAL BY NATIONAL BULK EQUIPMENT, INC., AND SHALL NOT BE REPRODUCED, COPIED, OR USED IN WHOLE OR IN PART FOR THE MANUFACTURE OR SALE OF ANY PART OR PRODUCT BY YOU OR ANY OTHER PARTY TO WHOM THE INFORMATION MAY BE SUPPLIED WITHOUT THE PRIOR WRITTEN CONSENT OF NATIONAL BULK EQUIPMENT, INC.	NATIONAL BULK EQUIPMENT AN NBE COMPANY	BILL OF MATERIALS				
AREA CLASSIFICATION GENERAL INDUSTRIAL						<input type="checkbox"/> MAIN PANEL TERMS <input type="checkbox"/> N/A <input type="checkbox"/> N/A <input type="checkbox"/> N/A <input type="checkbox"/> FUSED TERMINALS			ENGINEER PC	SCALE N/A	CREATIVE WERKS, LLC LIFT AND SEAL DISCHARGER J36258-59		
			B	UPGRADE KIT - HOUSEKEEPING PIN, E652365005	1/16/23	DM			DRAWN BY TLM	CHECKED BY SK	CSD # E342034005-06	DRAWING # 04790200-95	REV B
			A	AS BUILT	5/7/20	TLM			DATE 2/26/20	SHEET 10 OF 11			

