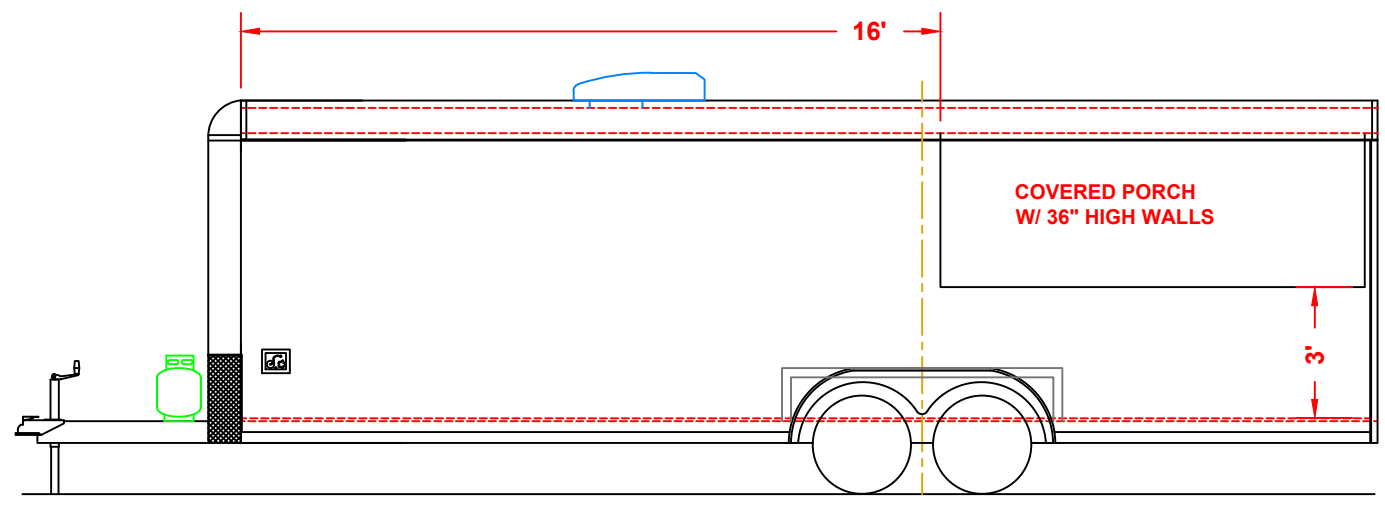
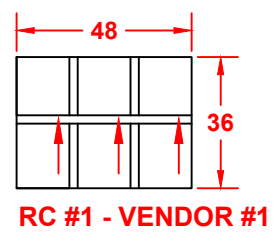
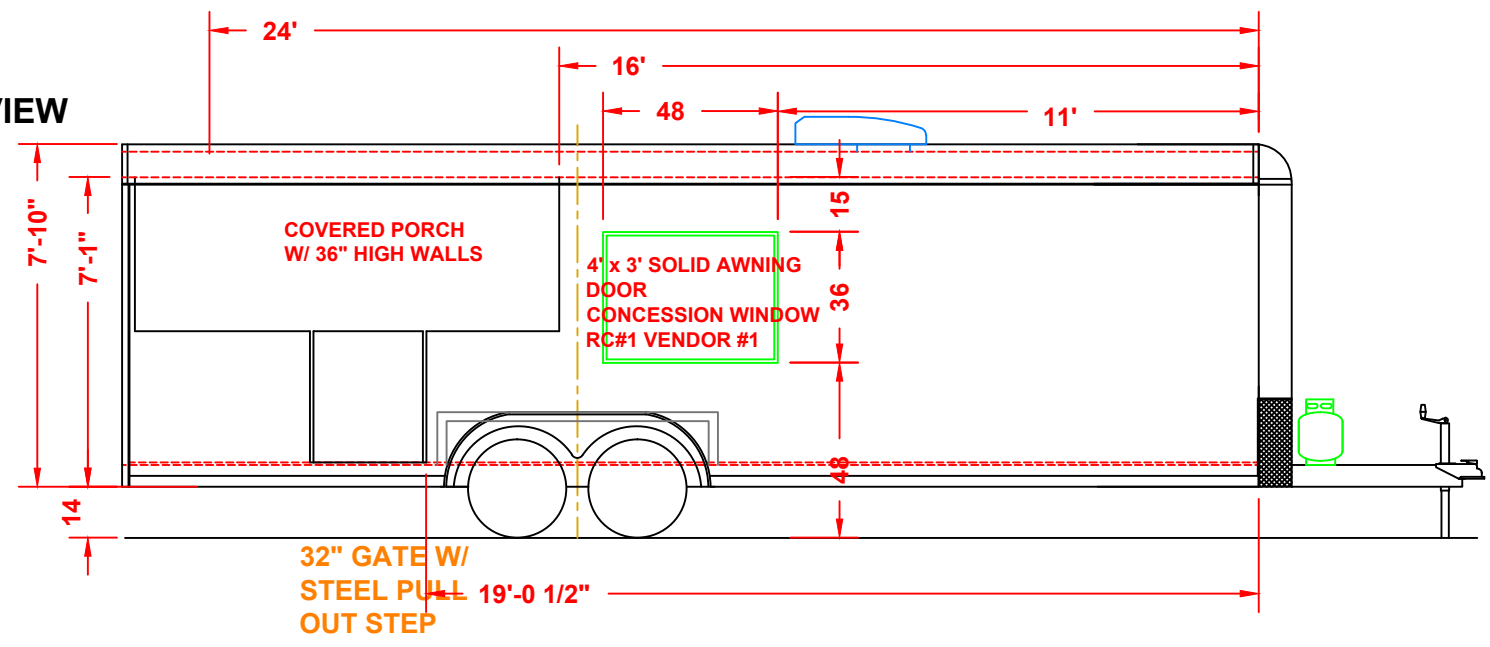


RS VIEW



CS VIEW



DRAFT

CUSTOMER APPROVAL

-APPROVED

-REVISE & RESUBMIT

INITIALS: _____ DATE: _____

		Middlebury, IN 46540 Phone: 574-825-9518 Fax: 574-825-2025 Toll Free: 877-283-7260	
DATE: 5/20/2020		SERIAL: 658960	
DRAWN BY: Carl Shinabarger		SHEET: 2 of 2	
MODEL: RST 8.5 x 26 TA3		REV DATE: 6/4/2020	
DEALER: Advantage Trailers			REV A